


Industrial Wheeled Loader L420

POWERFUL. OPTIMISED. COMFORTABLE.
WHEELED LOADER



-  **23,3 t**
-  **216 kW (294 PS)**
-  **4,2 m³**



Standard equipment and extras

DRIVER'S CAB

- | | | |
|---|--|---|
| <ul style="list-style-type: none"> • Comfortable and safety cab with integrated roll-over protective structures (ROPS) and falling-object protective structures (FOPS) in accordance with ISO 3471 and ISO 3449. | <ul style="list-style-type: none"> • User-friendly instrumentation <ul style="list-style-type: none"> • Fuel quantity indicator • Coolant temperature • Tachometer • Direction control switch • electrical safety locking switch (for road use) • Sunblind (front window) • electrical warning horn | <ul style="list-style-type: none"> • Warn- /Control lights <ul style="list-style-type: none"> • Battery charge • Brake oil pressure • Parking brake • Transmission oil filter • Hydraulic oil filter • Engine oil pressure • Wiper interval switching (front) • Washer and wiper system (front/rear) with integrated spray nozzles • 12 V and 24 V Sockets |
| <ul style="list-style-type: none"> • Glazing right down to the floor • Door, left | <ul style="list-style-type: none"> • Beverage container holder • 3-step blower | <ul style="list-style-type: none"> • Inside rear-view mirror • 2 outside rear-view mirrors • tiltable, mounted on 4 hydro bushings |
| <ul style="list-style-type: none"> • Ventilation window and emergency exit (at the right side) | <ul style="list-style-type: none"> • Steering column adjustment (length and angle) | |
| <ul style="list-style-type: none"> • Pressurised cab with a supply of filtered fresh air | <ul style="list-style-type: none"> • Comfortable driver's seat with air suspension; adjustable in length and height, ergonomically shaped lumbar support | <ul style="list-style-type: none"> • Storage place for the first aid box and the operating instructions |
| <ul style="list-style-type: none"> • Climatronic and defrost function | <ul style="list-style-type: none"> • Automatic safety belt | <ul style="list-style-type: none"> • Stereo-Radio |

ENGINE

- | | | |
|--|--|--|
| <ul style="list-style-type: none"> • Cummins diesel engine | <ul style="list-style-type: none"> • Charge cooler | <ul style="list-style-type: none"> • Long-life coolant (freeze protection up to -34°) |
| <ul style="list-style-type: none"> • High-pressure direct injection system | <ul style="list-style-type: none"> • Crankcase emission control system with oil separator | <ul style="list-style-type: none"> • Air filter (dry air filter with a main cartridge and a security cartridge) |
| <ul style="list-style-type: none"> • liquid-cooled exhaust-gas turbocharger | <ul style="list-style-type: none"> • Fuel filter (pre-filter / main filter) | <ul style="list-style-type: none"> • Water separator |

TRANSMISSION / AXLES

- | | | |
|---|---|--|
| <ul style="list-style-type: none"> • Hydrodynamic travel drive | <ul style="list-style-type: none"> • Automatic transmission | <ul style="list-style-type: none"> • Rear axle swinging + - 12° |
| <ul style="list-style-type: none"> • Torque converter | <ul style="list-style-type: none"> • Self-locking differential with lamella, in front and rear | |

ELECTRIC INSTALLATION

- | | | |
|--|---|--|
| <ul style="list-style-type: none"> • Central electrics • on-board power supply: 24 V • 2 maintenance-free starter batteries | <ul style="list-style-type: none"> • Battery main switch • Alternator • 24 V starter | <ul style="list-style-type: none"> • Key-operated start switch • Halogen working floodlights • Lighting complies with StVZO (the Road Traffic Permit Act) |
|--|---|--|

BRAKE SYSTEM

- | | |
|--|---|
| <ul style="list-style-type: none"> • Wet, internal oil-cooled brakes for the 4 wheels | <ul style="list-style-type: none"> • Two-circuit safety system |
|--|---|

STEERING

- | | | |
|--|---|---|
| <ul style="list-style-type: none"> • Adjustable piston pump with pressure and flow rate control | <ul style="list-style-type: none"> • 2 double action cylinders with end position damping | <ul style="list-style-type: none"> • Automatically actuated, electrically driven emergency steering pump |
| <ul style="list-style-type: none"> • Hydrostatic articulated steering (on both sides: 40°) | <ul style="list-style-type: none"> • Steering mechanism has a priority supply | |

HYDRAULIC SYSTEM

- | | | |
|---|---|---|
| <ul style="list-style-type: none"> • 2 adjustable piston pumps with pressure and flow rate control | <ul style="list-style-type: none"> • 2-circuit control block with flow distribution that is independent of the load pressure | <ul style="list-style-type: none"> • Lifting frame damping system with automatic activation and deactivation |
| <ul style="list-style-type: none"> • Full-flow return filter | <ul style="list-style-type: none"> • Emergency lowering mechanism | |
| <ul style="list-style-type: none"> • Hydraulic pilot control | <ul style="list-style-type: none"> • Boom lifting cylinder with end position damping | |

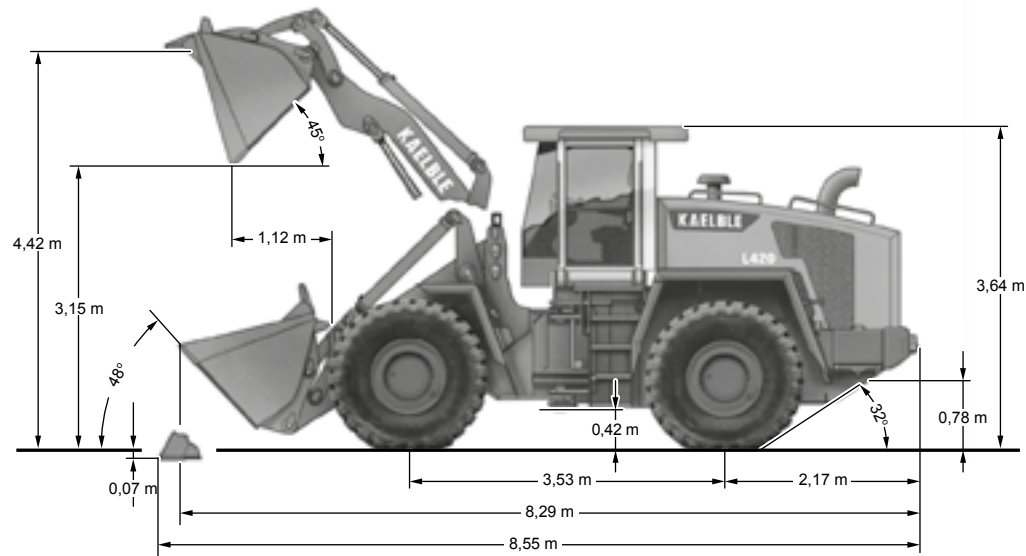
CHARGING SYSTEM

- | | |
|---|---|
| <ul style="list-style-type: none"> • Parallel kinematics | <ul style="list-style-type: none"> • Fast speed dumping under full deflection of the pilot control devices |
|---|---|

ADDITIONAL STANDARD EQUIPMENT

- | | | |
|--|---|---|
| <ul style="list-style-type: none"> • Hydraulically openable bonnet | <ul style="list-style-type: none"> • Cast rear weight - serves as a bumper | <ul style="list-style-type: none"> • Vehicle's tool kit (for immediate self-help) |
| <ul style="list-style-type: none"> • Bleed valve (diesel engine, transmission, hydraulic tank, cooler) | <ul style="list-style-type: none"> • Partial central lubrication by a lubrication distributor (optionally) | <ul style="list-style-type: none"> • Varnishing by Kaelble in grey and orange |
| <ul style="list-style-type: none"> • Electrical filling level monitoring when starting the diesel engine (engine oil, transmission oil, hydraulic oil, cooling water) | <ul style="list-style-type: none"> • Lockable battery box | <ul style="list-style-type: none"> • Steel bumpers (front and rear) • Traction device |

Technical data



DIESEL ENGINE

Manufacturer and type: Cummins QSM 11	Max. torque 1478 Nm at 1200 1/min	Exhaust emission values TIER 3 and EU Level IIIA has been exceeded.
6 cylinders in line	Hole 125 mm	
Power at 1800 1/min	Lift 147 mm	
acc. to SAE J 1995 (gross) 216 kW / 294 PS	Cubic capacity: 10800 ccm	

NOISE LEVEL

- Interior noise (sound pressure level) with windows and doors closed: 74 dB(A). Measured according to ISO 6394.
- Exterior noise (sound power level) is 108 dB(A). Measured according to acc. to 2000/14/EC.

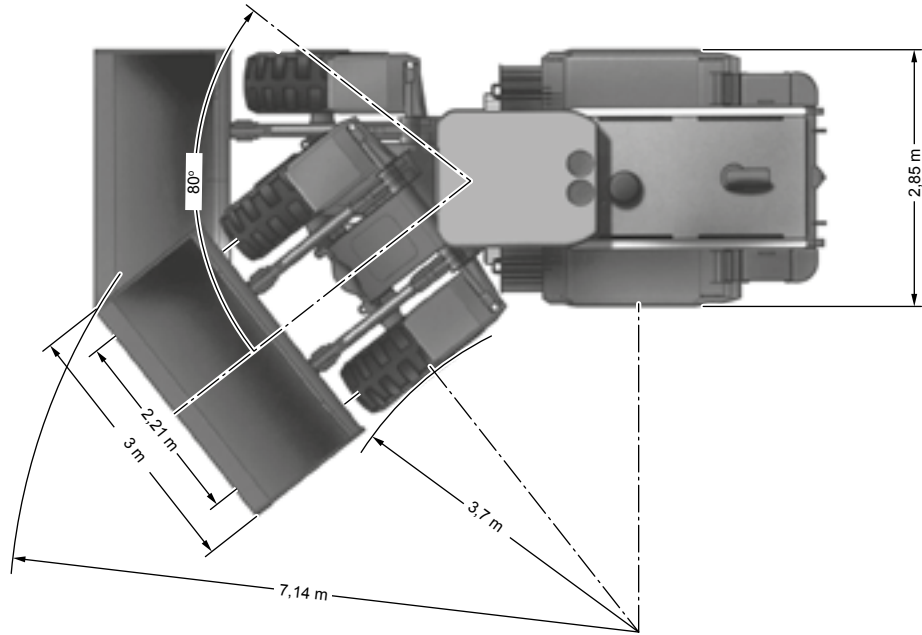
OPERATING DATA AND DIMENSIONS

Standard operating weight..... approx. 23200 kg	Turning radius 7140 mm	Pivot bolts of a maximum height 4420 mm
Static tipping load..... approx. 15700 kg	Rear overhang 2170 mm	Dumping height (without teeth) 3145 mm
shovel capacity (density: 1,8 t/m ³) 4,2m ³		Reachable space (without teeth) 1120 mm
	Angle of approach at the rear 32°	
Overall length 8290 mm		Dumping angle, max. 45°
Width across the shovel 3000 mm	Tear-off force 202 kN	Tip-back angle in drive position 53°
Height above the cab 3640 mm	Lifting force: 271 kN	
	Static straight-line tipping load 17800 kg	
Ground clearance 420 mm	Lifting time when the shovel is full 5,8 s	
Wheel base 3530 mm		

ADDITIONAL EQUIPMENT / EXTRAS

- StVZO (Road Traffic Permit Act) package
- Automatic centralised lubricating system
- Auxiliary heating
- Rotating beam lights
- Fire extinguisher
- Speed limitation
- Leverage operation in connection with gear shift on the control panel.
- Auxiliary seat
- Reverse warning device
- Lockable battery box
- Bio-Hydraulic Oil
- Diesel exhaust gas cleaning equipment
- Hydraulic locking circuit
- 3.Control circuit with a pre-selectable quantity presetting for impulse- and continuous operation
- High lift design
- Tyre protection chains
- CaCl² - filling for rear axle tyres
- Tyre foam filling
- Ejector
- Special varnishing
- TÜV certificate for a public road traffic permit
Additional specialised equipment on request

Technical data



HYDRAULICS

Flow rate:.....	350 l/min	Hydraulic cycle time	Dumping (top)	1.7 s
Operating pressure.....	310 bar	Lifting	Lowering	3.9 s
				5.8 s

SPEED

- Tyres 26,5 R 25

Forward and backward	Km/h
1	7
2	13
3	28
4 forward	40

TYRES

26,5 R 25

Specialised equipment on request

www.atlasgmbh.com

ATLAS MASCHINEN GMBH

THEODOR-HEUSS-STR. 3, 49377 VECHTA, Germany

T: + 49 (0) 4441 954 – 0, F: +49 (0) 4441 954 299

info@atlasgmbh.com

L420-EN (1) Effective from: February 2013. Product description and product prices may be changed at any time without prior notice. The photographs and/or drawings in this document are for illustrative purposes only. Refer to the appropriate Operator's Manual for instructions on the proper use of this equipment. Failure to follow the appropriate Operator's Manual when using our equipment or otherwise act irresponsibly may result in serious injury or death. The only warranty applicable to this product is the standard written warranty. Atlas makes no other warranty, expressed or implied, going beyond this guarantee. Products and services listed may be trademarks, service marks or trade-names of ATLAS MASCHINEN GMBH and/or its subsidiaries. All rights reserved. "ATLAS" is a registered trademark of ATLAS MASCHINEN GMBH. Copyright © 2013 ATLAS MASCHINEN GMBH.