

ATLAS

ATLAS ACCESSORY EQUIPMENT for excavators – PRICE PROPOSAL

ACCESSORY EQUIPMENT



PRODUCT RANGE



MOBILE EXCAVATORS

ATLAS mobile excavators are the all-purpose excavators for road construction and underground engineering work. They are enormously strong, solid and mobile and can be operated effectively in virtually all kinds of conditions.

- Excellent stability for maximum performance
- Optimal centre of gravity and ideal weight distribution
- Precise digger control with a sensitive hydraulic system
- Streamlined for trench work, strong design and construction



RAIL-ROAD EXCAVATORS

The ATLAS Rail Road Excavators are adaptable and flexible: the new computer-aided CARSY system ensures optimal contact pressure with the rails. They can be used for an array of applications, from cutting works to dismantling and upgrading the railway track.

- More than 30 years manufacturing experience
- Optimal stability - Allows easy raiiling / de-railling and convenient handling for operators
- Versatility
- Mechanical Expertise
- Security
 - Automatic self-diagnosis
 - Emergency de-railling is permanently available and double protected on rail guide wheels
 - Fast cycle times
 - Optimised handling

MOBILBAGGER

Die ATLAS Mobilbagger sind die Universalbagger beim Straßen- und Tiefbau. Ihre enorme Kraft, Standfestigkeit und Mobilität ermöglichen ein effektives Arbeiten unter nahezu allen Einsatzbedingungen.

- Maximale Leistung dank exzellenter Stabilität
- Optimaler Schwerpunkt und ideale Gewichtsverteilung
- Präzise Baggersteuerung über feinfühliges Hydraulik
- Optimiertes Design für Grabarbeiten, robuste Konstruktion, Bedienerfreundlichkeit

ZWEIWEGBAGGER

Die ATLAS Zweiwegebagger sind anpassungsfähig und flexibel: Das computergestützte CARSY System gewährleistet optimalen Anpressdruck auf die Schienen. Die Bagger sind vielseitig einsetzbar, von Böschungsarbeiten bis hin zu Modernisierung von Gleisanlagen.

- Mehr als 30 Jahre Erfahrung
- Optimale Stabilität
 - Ermöglicht leichtes Auf- und Abgleisen;
 - Bequeme Handhabung für den Bediener
- Vielseitigkeit
- Know-how in der Konstruktion
- Sicherheit
 - Automatische Selbstdiagnose
 - Notausgleisung immer gewährleistet und doppelt abgesichert
 - Schnelle Zyklen
 - Hohe Bedienfreundlichkeit

PRODUCT RANGE



MATERIAL HANDLING MACHINES

ATLAS material handlers include mobile industrial machines and industrial tracked machines, which work on applications such as scrap, wood, bulky goods, special recycling, port applications and vacuum operations.

- Fast cycle times
- Optimised handling
- Mechanical expertise
- 20 years manufacturing experience
- Reliability
- Extended life span
- Versatility
- Range of diverse equipment to meet customer expectations



CRAWLER EXCAVATORS

Maximum digging performance, large loads and superior tear-out and break-away forces thanks to excellent kinematics. Maximum power with Cummins high-performance engines. Fast, sensitive working cycles with a newly-developed Rexroth hydraulic system.

- Powerful
- Fast operating cycles
- Easy to operate
- Low fuel consumption
- Easy maintenance
- Excellent visibility

UMSCHLAGMASCHINEN

ATLAS Lademaschinen sind mobile Umschlagmaschinen und Umschlagmaschinen mit Raupenfahrwerk für den industriellen Einsatz bei z.B. Schrott, Holz, sperrigen Gütern und Recycling, in Häfen und bei Spezialarbeiten

- Know-how in der Konstruktion
- 20 Jahre Erfahrung
- Schnelle Zyklen
- Hohe Bedienfreundlichkeit
- Zuverlässigkeit
- Lange Lebensdauer
- Vielseitigkeit
- Große Auswahl an Zusatzausrüstungen

RAUPENBAGGER

Optimale Grableistung, hohe Traglasten sowie überlegene Reiß- und Losbrechkkräfte durch sehr gute Kinematik. Maximale Leistung durch Cummins Hochleistungsmotoren. Schnelle und feinfühlig Arbeitsspiele durch neuentwickeltes Rexroth-Hydrauliksystem.

- Leistungsstark
- Schnellste Arbeitszyklen
- Hohe Bedienfreundlichkeit
- Niedriger Kraftstoffverbrauch
- Perfekte Wartungsfreundlichkeit
- Optimale Rundumsicht

Content

1. Quick change devices (QCD)
2. Quick change devices for changing the grab with a grab - quick coupler Lehnhoff - Oil Quick
3. Articulation pieces - quick change, grab adaptations - Verachttert - Lehnhoff - Oil Quick
4. Articulation pieces - permanent installation
5. Grab rotation gear
6. Hydraulic packages - Grab extensions
7. Clamshell bucket for E4.2
8. Clamshell bucket for E8.2
9. Clamshell bucket for E11.2
10. Clamshell bucket for E12
11. Clamshell bucket for E32
12. Clamshell bucket for E31.2
13. Clamshell bucket for E332
14. Clamshell bucket for E332
15. Clamshell bucket for E2.62
16. Clamshell bucket for E832
17. Log grab for E32
18. Log grab for E732 and E832-2
19. Multitooth grab and grab for round shafts: for E32 - Beet grab for E332
20. Demolition and sorting grab for E332, swing freely - Demolition and sorting grab with a screw adaptor
21. Multi-jaw grab, 5 arms, for E11.32 and E732
22. Multi-jaw grab, 4 arms, for E732
23. Multi-jaw grab, 5 arms, for E732
24. Multi-jaw grab, 4 and 5 arms, for E832-2
25. Connecting part for hydraulic hammer - connecting plate for welding - adapters
26. Product line of dippers and buckets
27. Attachments for a dipper: AB 1004, 1104, 1204
28. Bucket: standard design with ATLAS B1 tooth system or a non-serrated blade
29. Rock bucket - HD-design with wear plates and ATLAS B2 tooth system
30. Rock bucket - HD-design with wear plates and ATLAS B3 and B4 tooth system
31. Rock bucket - HD-design with wear plates suitable for 210 - 260LC with CAT tooth system
32. Drainage bucket; trench lining bucket, dipper for loamy soil
33. Trench digger: rear blade, fixed
34. Trench digger: rear blade, swivel movement available
35. Rotator (Rototilt) - Dipper swivel head - Powertilt electric motor for rotary movement
36. All-purpose bucket: round shape, no rear blade, fixed, swivel movement available
37. Ripper tooth, heavy duty fork, load hook, capable / incapable of rotation
38. Pallet forks, original load-lifting magnets MOZELT

Quick change devices (QCD)

suitable for articulated jibs with a dipper-tipping cylinder and a reverse gear for changing the dipper (bucket) with a dipper (bucket), the bucket with a grab or the grab with another grab

Material no.	Type designation	Arm width (mm)	Bolt Ø	with ... T Load hook	Excavator Size T	Weight KG
4108416	T4.20	105	35	without	1 - 2	20
3198025	T8.20	150	40	without	3 - 5	29
2521300	T 11.20	168	50	without	6 - 11	35
4545448	T 620V	268	60	10	9 - 23	103
6141104	T620SMP2-STD	268	60	10	9 - 23	90
6139674	T620SMP2-EURO	268	60	10	9 - 23	98
4538358	T 620H	268	60	10	9 - 23	130
with hydraulic latching; a hydraulic attachment kit for excavators is required. (in conjunction with a SW (quick-coupler) joint plate and a SW (quick-coupler) load hook, a wedge with a wrench, material no. 5411278,						
5445449	T63.20-270	268	60	10	9 - 23	181
suitable for work attachments with connection T63.20						
6112694	T63.20H-270	268	60	10	9 - 23	215
with hydraulic latching; a hydraulic attachment kit for excavators is required. (in conjunction with a SW (quick-coupler) joint plate and a SW (quick-coupler) load hook, a wedge with a wrench, material no. 5411278,						
4568445	T 63.20	300	80	10	17 - 26	188
4568456	T 63.20H	300	80	10	17 - 26	215
with hydraulic latching; a hydraulic attachment kit for excavators is required. (in conjunction with a SW (quick-coupler) joint plate and a SW (quick-coupler) load hook, a wedge with a wrench, material no. 5411278,						
6127030	T63.20-311	311	80	10	17 - 26	195
suitable for work attachments with connection T63.20						
6127051	T63.20H-311	311	80	10	17 - 26	220
with hydraulic latching; a hydraulic attachment kit for excavators is required. (in conjunction with a SW (quick-coupler) joint plate and a SW (quick-coupler) load hook, a wedge with a wrench, material no. 5411278,						
4551037	T 620-300	300	80	10	17 - 26	105
suitable for work attachments with connection T620						
5448022	T 620H-300	300	80	10	17 - 26	105
with hydraulic latching; a hydraulic attachment kit for excavators is required. (in conjunction with a SW (quick-coupler) joint plate and a SW (quick-coupler) load hook, a wedge with a wrench, material no. 5411278,						
6116761	T620-311	311	80	10	17 - 26	135
suitable for work attachments with connection T620						
6104952	T620H-311	311	80	10	17 - 26	200
with hydraulic latching; a hydraulic attachment kit for excavators is required. (in conjunction with a SW (quick-coupler) joint plate and a SW (quick-coupler) load hook, a wedge with a wrench, material no. 5411278,						
4541320	T 722	forked	80	10	22 - 35	253
4541400	T 722 H	forked	80	10	22 - 35	275
with hydraulic latching; a hydraulic attachment kit for excavators is required. (in conjunction with a SW (quick-coupler) joint plate and a SW (quick-coupler) load hook, a wedge with a wrench, material no. 5411278, is required)						


T620V

T63.20H

Quick change devices for changing the grab with a grab

Material no.	Type designation	Arm width (mm)	Bolt Ø	with ... T Load hook	Excavator Size T	Weight KG
1491130	T610 Bolts, a wedge and a wrench, bolts with centring sleeves for the holder of the quick change joint plate, load hook, etc.	268	60		12 - 23	30
4568467	T63.10 Bolts, a wedge and a wrench, bolts with centring sleeves for the holder of the quick change joint plate, load hook, etc.	300	80		17 - 26	32
5411267	T713 Bolts and a wrench, bolts with centring sleeves for the holder of the quick change joint plate, load hook, etc.	345	80		26 - 50	24
5411278	wedge with a wrench					12

Original Lehnhoff quick coupler

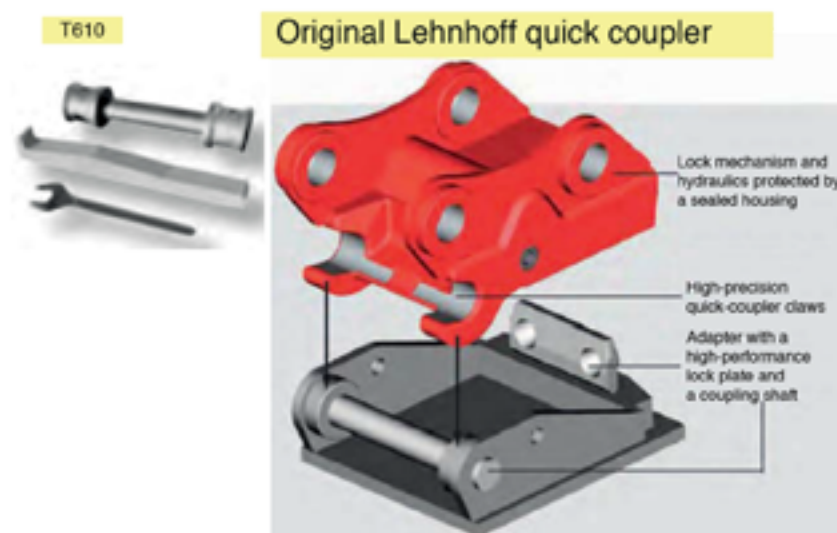
6055699	MS10-270	268	60	without	12 - 23	170
6067588	MS10-270 LH5	268	60	5	12 - 23	170
6071058	HS10-270	268	60	without	12 - 23	170
6149600	HS10-270 LH5	268	60	5	12 - 23	170
6057265	MS10-300	300	80	without	17 - 25	170
6147275	HS10-300 LH10	300	80	10	17 - 25	190
6093487	MS21-270	268	60	without	17 - 25	270
6152916	MS21-270 LH10	268	60	10	17 - 25	270
6092688	MS21-300	300	80	without	22 - 35	270
6090407	MS21-300 LH10	300	80	10	22 - 35	270
6093987	HS21-300	300	80	without	22 - 35	270
6055712	MS21-311	311	80	without	22 - 35	270
6104102	HS21-311	311	80	without	22 - 35	270

Original Lehnhoff quick coupler - loose

6150119	SWE OQ65 270-60	268	60	10	12 - 22	
6157484	SWE OQ65 300-80	300	80	10	12 - 22	
6158079	SWE OQ65 311-80	311	80	10	12 - 22	
6148988	SWE OQ70/55 270-80	268	60	10	18 - 30	
6150150	SWE OQ70/55 300-80	300	80	10	18 - 30	
6096815	SWE OQ70/55 311-80	311	80	10	18 - 30	

Oil Quick Original quick coupler - mounted to the excavator.

6160392	SWE OQ65 270-60	268	60	10	12 - 22	
6161197	SWE OQ65 300-80	300	80	10	12 - 22	
6161198	SWE OQ65 311-80	311	80	10	12 - 22	
6161231	SWE OQ70/55 270-80	268	60	10	18 - 30	
6161234	SWE OQ70/55 300-80	300	80	10	18 - 30	
6161235	SWE OQ70/55 311-80	311	80	10	18 - 30	



Hydraulic quick change device
Oil Quick Original



Articulation pieces - ATLAS - quick change , connection between the articulated jib end and the grab rotation gear

Material no.	Type designation	suitable for SWE (quick change devices)		suitable for		Weight KG
3132265	T 11.40	T11.20	without wedge	E 11.2, E11.32	6 - 11	40
6011101	T 630	T620V , T 620 H, T610	without wedge	E 12, E 31.2, E32, E332	12 - 23	62
3105911	T630 S GER.PLATTE	T620V , T 620 H, T610	without wedge		12 - 23	44
6141102	T630SMP2-STD	T620SMP2-STD	with wedge	E 12, E 31.2,E32,E332	12 - 23	82
6139673	T630SMP2-EURO	T620SMP2-EURO	with wedge	E 12, E 31.2,E32,E332	12 - 23	90
4568489	T 63.31	T63.20 , T 63.20 H	without wedge	E 12, E 31.2, E32, E332	17 - 26	90
4568003	T 63.34	T63.20 , T 63.20 H	without wedge	E2.62, E713, E732 E732-2	17 - 26	105
4578174	T 730	T620V , T 620 H	without wedge	E2.62, E713, E732 E732-2	17 - 26	71
4528618	T 731	T722 , T722H	with wedge	E2.62, E713, E732 E732-2	17 - 35	118
4516772	T 733	T713	with wedge	E 12, E 31.2, E32, E332	17 - 35	84
3510876	T 734	T713	with wedge	E2.62, E713, E732 E732-2	26 - 50	89
4540738	T 832	T713	with wedge	E832-2	26 - 50	126

Grab adaptations: Verachttert

6119390	GA-CW20-40BR-E32	CW20 - 40br	wide version	E12, E32, E332	10 - 19	100
6160617	GA-CW20-40BR-E2.62	CW20 - 40br	wide version	E2.62, E713, E732 E732-2	26 - 50	150

Grab adaptations: Lehnhoff

6128022	GA-MS01-E4.2	MS01 / HS01		E4.2	1 - 2	21
6128191	GA-MS03-E8.2	MS03 / HS03		E8.2	3-5	35
6068804	GA-MS08-E11.2	MS08 / HS08		E11.2, E11.32	6 - 11	65
6142003	GA-MS08-E12	MS08 / HS08		E12, E32, E332	5 - 12	65
6132361	GA-MS10-E32	MS10 / HS10		E12, E32, E332	10 - 19	200
6132350	GA-MS21-E32	MS21 / HS21		E12, E32, E332	19 - 26	205
6135913	GA-MS21/25-E2.62	MS21 / HS21		E2.62, E732, E732-2	19 - 35	205

Grab adaptations: Oilquick

6140596	GA-OQ65-T31	OQ 65	T31 required.	E12, E32, E332	12 - 23	120
6140951	GA-OQ70-55-T31	OQ 70-55	T31 required.	E12, E32, E332	12 - 23	150
6152199	GA-OQ70-55-T64	OQ 70-55	T64 required.	E2.62, E732, E732-2	19 - 35	155

additional quick couplers (SW) - grab adaptations for Lehnhoff, Verachttert and Oilquick - can be supplied upon request!



T630



T832


 GA
MS03 -
E8.2

 GA
MS08 -
E11.2

Articulation pieces - permanent installation, connection between the articulated jib end and a grab rotation gear

Material no.	Type designation	Arm width (mm)	Bolt Ø	suitable for	Excavator Size T	Weight KG
3523462	T 4.2	110	35	E4.2	1 - 2	4
3135600	T 8.2	150	40	E8.2	3 - 5	9
2593748	T 11.4	168	50	E11.2, E11.32	6 - 11	15
3168530	T21	268	60	E11.2, E11.32	9 - 22	21
1586714	T 31	268	60	E 12,E 31.2,E 32,E 332	12 - 23	25
1572810	T 35	268	60	E 12, E 31.2,E32,E332	12 - 23	36
	re-arrangeable 250/350 mm long, mainly for grabs with low altitude,					
1572832	T 36	268	60	E 12,E 31.2,E 32,E 332	12 - 23	36
	altitude: 490 mm long, mainly for steeply positioned jibs and telescopic articulated jibs					
2228779	T 64	268	60	E2.62, E713, E732	17 - 26	60
1572854	T2.61	290	60	E2.62, E713, E732	17 - 26	65
1572876	T2.62	290	60	E 12, E 31.2,E32,E332	17 - 23	41
5401743	T 63.01	300	80	E 12,E 31.2,E 32,E 332	17 - 23	57
4568490	T 63.04	300	80	E2.62, E713, E732 E732-2	17 - 26	54
1572912	T 71	forked	80	E2.62, E713, E732 E732-2	17 - 35	60
1572898	T 72	345	80	E2.62, E713, E732 E732-2	17 - 35	55
	Industrial articulated jibs					
6104916	T72-311	311	80	E2.62, E713, E732 E732-2	17 - 35	81
3189057	T 81	forked	80	E832-2	26 - 50	105
3167460	T 82	345	80	E832-2	26 - 50	121
	Industrial articulated jibs					



Grab rotation gear, hydraulically advancing by an oil engine, capable of rotation

Material no.	Type designation		Excavator Size T	Weight KG
6135920	E4.2	without a grab cylinder	1 - 2	19
3175200	E8.2	with a grab cylinder	3 - 5	90
4512507	E 11.2	with a grab cylinder	6 - 11	140
4513042	E 11.32	without a grab cylinder	6 - 11	65
6030688	E 12	with a grab cylinder	10 - 15	200
6030684	E 31.2	with a grab cylinder	12 - 23	215
6014722	E 32	with a grab cylinder	12 - 23	230
6015121	E 332	without a grab cylinder	12 - 23	95
4514190	E 2.62	with a grab cylinder	17 - 35	340
3593999	E713	with a grab cylinder, for a deep-grab gear suitable for all kinds of E32 grabs, E35 - E310.5 E714 is required as extension	17 - 35	320
4515511	E 732	without a grab cylinder	17 - 35	150
5453052	E732-2	without a grab cylinder, with 2 electric motors for rotary movement	17 - 35	170
6077949	E 832-2	without a grab cylinder, with 2 electric motors for rotary movement	25 - 50	200



Hydraulic package (compl. SL-connection, articulated jib - grab rotation gear with SV-couplings)

Material no.	Type designation	Grab rotation gear	Articulation piece SW (quick coupler) articulation piece	ATLAS Excavator	Arm width (mm)	SL - size and length
3173628	HP.F.E8.2 - T8.4	E 8.2	T8.2	804	150	SL 8 x 1600 SL 10 x 1600
3168392	HP F E11.2 - T11.4	E 11.2 , E11.32	T11.4 T21	1004 1104, 1204	168 268	SL 10 x 1350 SL 16 x 1500
5440126	HP.F.E11.2 -T11.40	E 11.2 , E11.32	T 11.40	1004	168	SL 10 x 1350 SL 16 x 1500
5416137	HP.F.E12 - T31	E 12	T 31	1104/1204	268	SL 10 x 1600 SL 16 x 1600
5412393	HP.F.E12 - T630	E 12	T 630	1104/1204	268	SL 10 x 1600 SL 16 x 1700
5441514	HP.F.E32 - T31	E 32, E 332, E 31.2	T 31, T 35	12-1605,1604 /1705 130W-170W	268	SL 10 x 1600 SL 20 x 1700
5400742	HP.F.E32 - T630	E 32, E 332, E 31.2	T 630	12-1605,1604 /1705 130W-170W	268	SL 10 x 1600 SL 20 x 1800
5404008	HP.F.E32 - T63.01	E 32, E 332	T 63.01, T63.31	1605,1705,1805,1905 190W, 220W	300	SL 10 x 2000 SL 20 x 1800
5404031	HP.F.E2.62 - T64	E 2.62,E 732,E732-2	T 64, T 730	130-170W 1705 (T520-300) 190W, 220W (T620-300)	268 (300)	SL 10 x 1600 SL 20 x 2000
5401709	HP.F.E2.62 - T63.04	E 2.62,E 732,E732-2	T 63.04, T63.34	2005,2205 190W, 220W	300	SL 10 x 1800 SL 20 x 2000
5404019	HP.F.E2.62 - T71	E 2.62, E72 E 732, E732-2, E 832-2	T71, T731, T81, T 831	1704 - 1804	forked	SL 10 x 2300 SL 20 x 2300
5412439	HP.F.E2.62 - T72	E 2.62, E72 E 732, E732-2, E 832-2	T72, T 734, T82	1704,1804. Indust. and telescopic 270MH,350MH	345	SL 10 x 1600 SL 20 x 1600
3178645	HP.F.E732 - T64	E 32, E 332, E 31.2 E 2.62,E 732,E732-2	T 36, T 630 T64 , T 730	1304-1705 1705 Indust. and telescopic 180MH,200MH	268	SL 10 x 1800 SL 20 x 1700
6079002	HP.F.E732 - T64 MI	E 32, E 332, E 31.2 E 2.62,E 732,E732-2	T630, T2.61, T2.62	1604MI, 230MH AB1622	268 290	SL 10 x 1800 SL 20 x 2000
5412440	HP.F.E832-2-T832MI	E 832-2	T 832	1804MI,350MH Indust. and telescopic	345	SL 10 x 1800 SL 20 x 1800
6041142	HP.F.E832-2 - T832	E2.62, E732, E732-2, E 832-2	T72, T734, T82, T 832	5205, 520MH	345	SL 10 x 2300 SL 20 x 2300

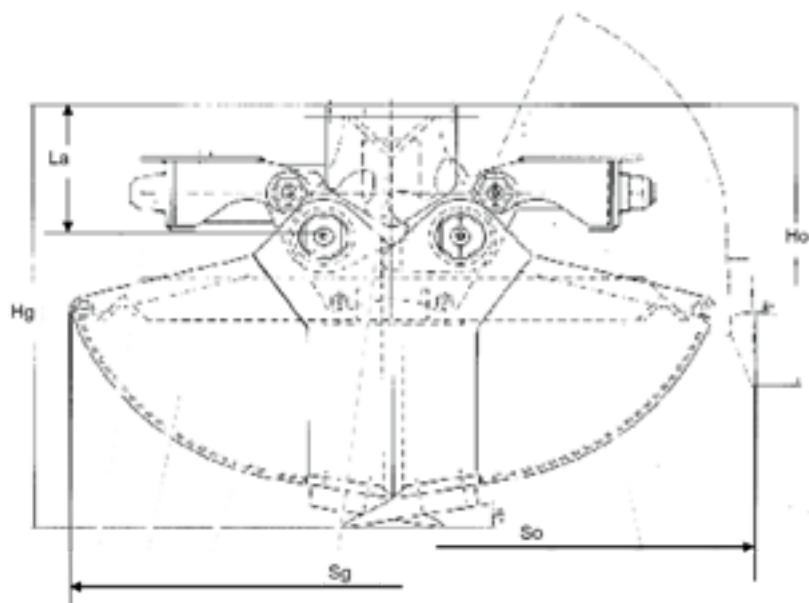
Grab extensions

Material no.	Type designation	Lenght (mm)		suitable for	Weight KG
0727633	E 34	1000	with 4 hoses	E32	56
0742267	E34.1	1.500	with 4 hoses	E32	90
0732572	E 34.2	2.000	with 4 hoses	E32	115
0728598	E74	1.000	with 2 hoses	E2.62	120
0742278	E74.2	2.000	with 2 hoses	E2.62	200
3594014	E714	2.000	with 2 hoses	E713	110



Clamshell bucket with a grab cylinder
 Grab rotation gear E4.2 is required.

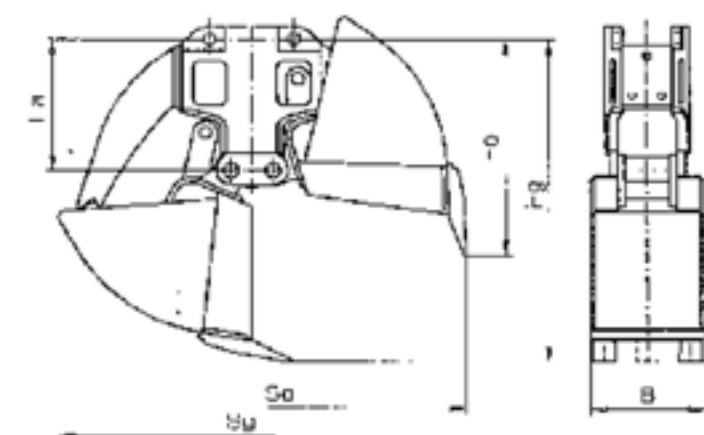
Material no.	Type designation	Width	Litres		Excavator Size T	Weight KG
3511731	E 4.5	270	40	with an ejector 3 Screw teeth	1 - 2	80
3511800	E 4.6	350	50	with an ejector 4 Screw teeth	1 - 2	90



Type design.	Material no.:	Hg	Ho	La	Sg	So
E4.5	3511731	515	344	160	730	820
E4.6	3511800	515	344	160	730	820
Altitude of rotation gear E4.2 incl. T4.2 = 320 mm						
Operating pressure: max 200 bar						

Clamshell bucket without a grab cylinder
Grab rotation gear E8.2 is required.

Material no.	Type designation	Width	Litres		Excavator Size T	Weight KG
3173844	E 8.5	200	50	with an ejector 3 Screw teeth	3 - 5	112
3173946	E 8.6	270	70	with an ejector 3 Screw teeth	3 - 5	120
3174027	E8.7	450	100	without an ejector 3 Screw teeth	3 - 5	127
6102084	E8.7.5	450	100	with an ejector 3 Screw teeth	3 - 5	130



E8.5 - E8.7

Type design	Material no.:	Hg	Ho	La	Sg	So
E8.5	3173844	815	545	331	910	1000
E8.6	3173946	815	545	331	910	1000
E8.7	3174027	815	545	331	910	1000
E8.7.5	6102084 as E8.7 yet as with ejector					

Altitude of rotation gear E8.2 incl. T8.4 = 611 mm

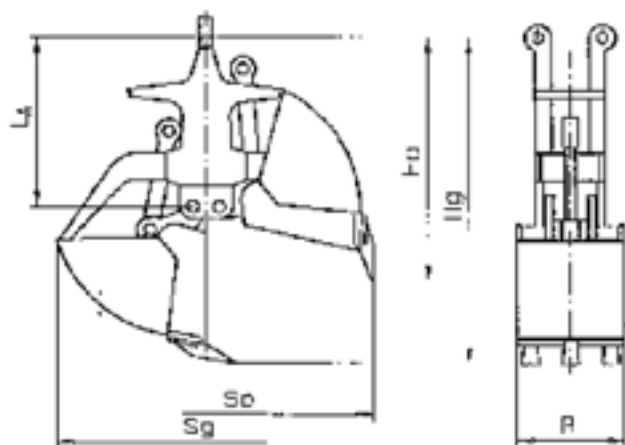
Operating pressure: max 200 bar



E8.7 + E8.2 + GA MS03 = 6128191

**Zweischalengreifer, ohne Greiferzylinder
Greiferdreheinrichtung E 11.2 erforderlich**

Material no.	Type designation	Width	Litres		Excavator Size T	Weight KG
2553819	E11.5	300	110	with an ejector 3 Screw teeth	6 - 11	240
2553886	E 11.6	400	150	with an ejector 3 Screw teeth	6 - 11	265
2553466	E 11.7	600	220	without an ejector 5 Screw teeth	6 - 11	258
2553740	E 11.7.5	600	220	with an ejector 5 Screw teeth	6 - 11	295
6035451	E11.8	800	450	without an ejector 7 Screw teeth	6 - 11	390



E11.5 - E11.8



T11.4 + E11.2 + E11.8

Type design	Material no.:	Hg	Ho	LA	Sg	So
E11.5	2553819	1300	930	675	1120	1300
E11.6	2553886	1300	930	675	1120	1300
E11.7	2553466	1300	930	675	1120	1300
E11.7.5	2553740	as E8.7 yet with an ejector				
E11.8	6035451	1425	945	675	1378	1542

Altitude of rotation gear E11.2 incl. T11.4 = 630 mm
Operating pressure: max 250 bar



E11.5



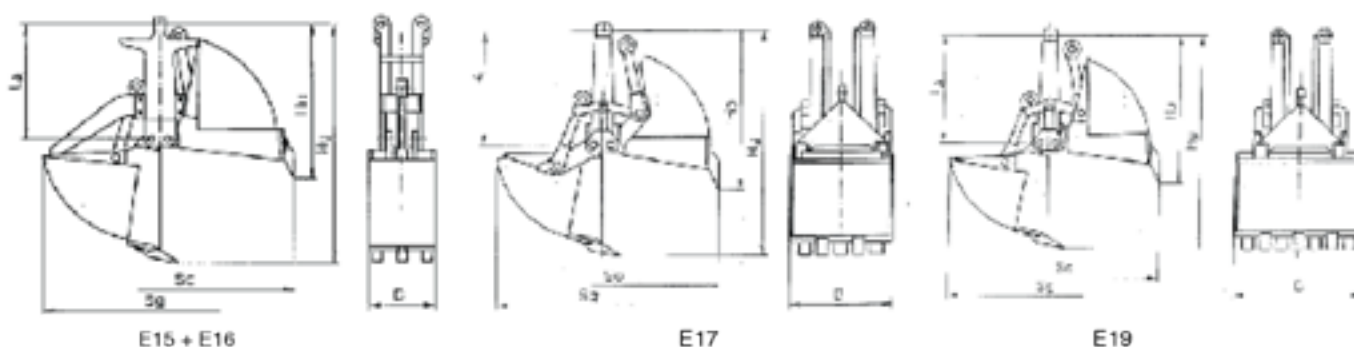
E11.6



E11.7

Clamshell bucket without a grab cylinder
Grab rotation gear E 12 is required.

Material no.	Type designation	Width	Litres		Excavator Size T	Weight KG
1419201	E 15	300	170	with an ejector 3 Screw teeth	10 - 15	370
1419198	E 16	400	210	with an ejector 3 Screw teeth	10 - 15	390
1922609	E 16 - 500	500	280	with an ejector 4 Screw teeth	10 - 15	413
1419176	E 17	600	300	without an ejector 5 Screw teeth	10 - 15	360
1497590	E17.1	ejector for retrofitting E17 and E17.5 4 Bolts 1973882 are required				40
1419187	E 17.5	600	300	with an ejector 5 Screw teeth	10 - 15	410
1419165	E19	800	400	without an ejector 7 Screw teeth	10 - 15	420



Type design	Material no.:	Hg	Ho	La	Sg	So
E15	1419201	1520	1025	745	1430	1620
E16	1419198	1520	1025	745	1430	1620
E16-500	1922609	1520	1025	745	1430	1620
E17	1419187	1375	985	700	1240	1420
E17.5	1419187 as E17 yet with an ejector					
E19	1419165	1375	985	700	1240	1420

Altitude of rotation gear E12 incl. T31 = 827 mm
 Operating pressure: max 250 bar



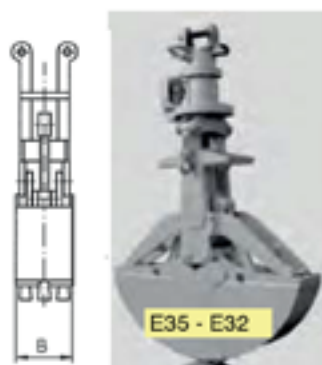
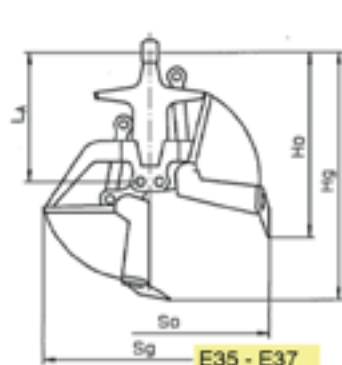
E15



E19 + E12 + T35S F. CASE
 WX120 = 6152339

**Clamshell bucket without a grab cylinder
Grab rotation gear E32 is required.**

Material no.	Type designation	Width	Litres		Excavator Size T	Weight KG	
1517324	E 35	300	180	with an ejector 3 Screw teeth	12 - 23	470	
1517222	E 36	400	250	with an ejector 3 Screw teeth	12 - 23	500	
3081296	E 37	500	300	with an ejector 4 Screw teeth	12 - 23	530	
1517131	E 38	600	350	without an ejector 5 Screw teeth	12 - 23	500	
1512534	E38.1	Ejector for retrofitting of E38 with E38.5 4 Bolts 0586530 are required.					68
1517120	E 38.5	600	350	with an ejector 5 Screw teeth	12 - 23	580	
1517415	E 39	800	450	without an ejector 7 Screw teeth	12 - 23	580	
1512545	E39.1	Ejector for retrofitting of E39 with E39.5 4 Bolts 0586530 are required.					78
1517404	E 39.5	800	450	with an ejector 7 Screw teeth	12 - 23	670	
3081309	E 310	1000	580	without an ejector 9 Screw teeth	12 - 23	660	
2545400	E310.1	Ejector for retrofitting of E310 with E310.5 4 Bolts 0586530 are required.					90
2545364	E310.5	1000	580	with an ejector 9 Screw teeth	12 - 23	750	
4685674	LASTH. 5TO	load hook 5 t for welding					5



Type design	Material no.:	Hg	Ho	LA	Sg	So
E35	1517324	1615	1145	840	1465	1630
E36	1517222	1615	1145	840	1465	1630
E37	3081296	1615	1145	840	1465	1630
E38	1517131	1520	1070	800	1390	1550
E38.5	1517120	as E38 yet with an ejector				
E39	1517415	1520	1070	800	1390	1550
E39.5	1517404	as E39 yet with an ejector				
E310	3081309	1520	1070	800	1390	1550
E310.5	2545364	as E310 yet with an ejector				
E310-700L without teeth	6153154	1620	1070	800	1590	1750
Altitude of rotation gear E32 incl. articulation piece T31 = 951 mm						
Operating pressure: max 300 bar						



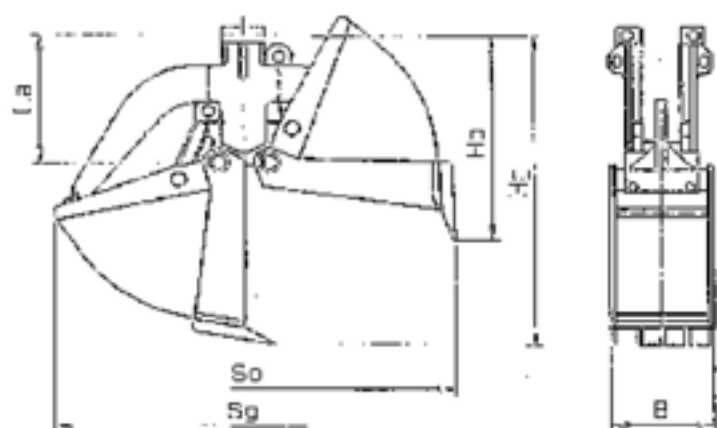
4685674 LASTH. 5TO welded on



E39+E32+T630+HP

Clamshell bucket without a grab cylinder, short design
Grab rotation gear E31.2 is required.

Material no.	Type designation	Width	Litres		Excavator Size T	Weight KG	
4533659	E 31.42	280	105	with an ejector 3 Screw teeth	12 - 23	375	
4532409	E 31.43	300	180	with an ejector 3 Screw teeth	12 - 23	434	
4533580	E 31.44	400	240	with an ejector 4 Screw teeth	12 - 23	465	
3594649	E 31.46	600	350	without an ejector 5 Screw teeth	12 - 23	445	
3590634	E 31.48	800	460	without an ejector 7 Screw teeth	12 - 23	530	
6065939	E31.50	1.000	590	without an ejector 7 Screw teeth	12 - 23	570	
4532227	E31.52	1.200	690	without an ejector 9 Screw teeth	12 - 23	650	
4685674	LASTH. 5TO	load hook 5 t for welding					5



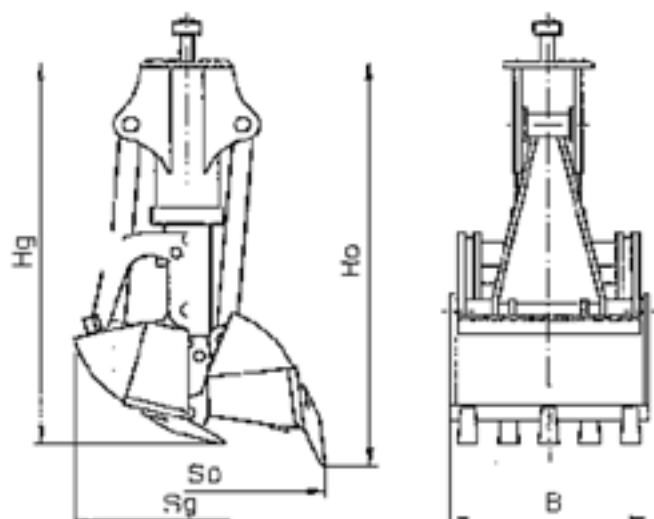
Type design	Material no.:	Hg	Ho	La	Sg	So
E31.42	4533659	1145	835	532	1210	1350
E31.43	4532409	1295	855	532	1490	1650
E31.44	4533580	1295	855	532	1490	1650
E31.46	3594649	1265	830	532	1400	1550
E31.48	3590634	1265	830	532	1400 <td 1550	
E31.50	6065939	1265	830	532	1400	1550
E31.52	4532227	1265	830	532	1400	1550

Altitude of rotation gear E31.2 incl. T31 = 700 mm
 Operating pressure: max 300 bar



**Clamshell bucket with a grab cylinder and a rotary feed system. Short design.
Grab rotation gear E332 is required.**

Material no.	Type designation	Width	Litres		Excavator Size T	Weight KG
1597295	E334	Ballast grab Opening dimensions: 800 x 800	110	with an ejector 6 Screw teeth	12 - 23	490
1597308	E 336	Ballast grab Opening dimensions: 600 x 1200	200	with an ejector 5 Screw teeth	12 - 23	510
4685674	LASTH. 5TO	load hook 5 t for welding				5



Type design.	Material no.:	Hg	Ho	Sg	So
E334	1597295	1235	1305	670	800
E336	1597308	1437	1340	1030	1200

Altitude of rotation gear E332 incl. T31 = 667 mm

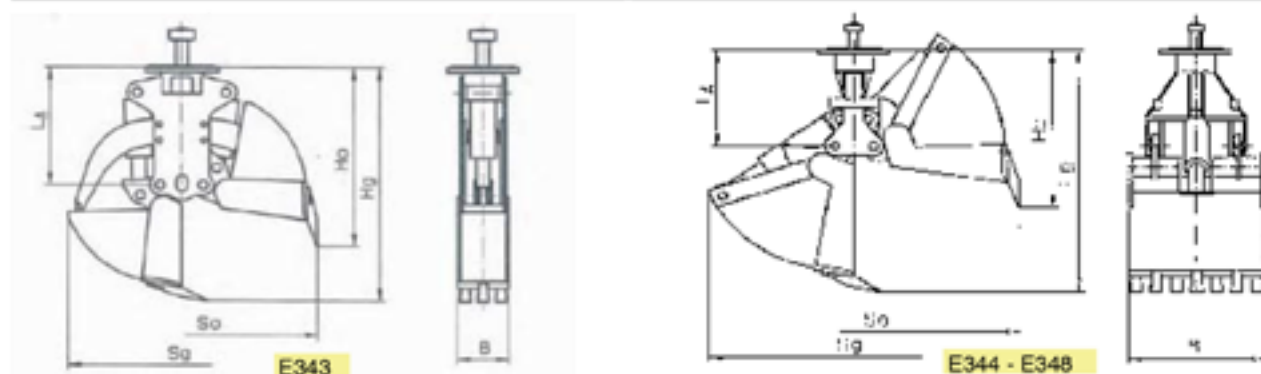
Operating pressure: max 300 bar

Clamshell bucket with two vertical grab cylinders and a rotary feed system. Short design.
Grab rotation gear E332 is required.

Material no.	Type designation	Width	Litres	Excavator Size T	Weight KG
4584605	E 343	280	100	12 - 23	472
with an ejector 3 Screw teeth Openings dimensions 1.350 above the teeth Grab for gripping in between the sleepers					
4685674	LASTH. 5TO	load hook 5 t for welding			5

Clamshell bucket with two horizontal grab cylinders and a rotary feed system; short design.
Grab rotation gear E332 is required.

Material no.	Type designation	Width	Litres	Excavator Size T	Weight KG
1420942	E 344	600	350	12 - 23	490
without an ejector 5 Screw teeth					
1420964	E 346	800	450	12 - 23	550
without an ejector 7 Screw teeth					
2580298	E348	1.000	560	12 - 23	640
without an ejector 7 Screw teeth					
4685674	LASTH. 5TO	load hook 5 t for welding			5

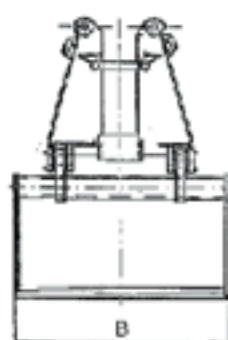
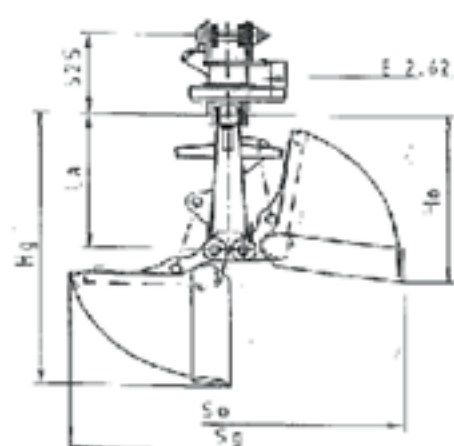


Type design	Material no.:	Hg	Ho	LA	Sg	So
E343	4584605	1190	905	590	1120	1350
E344	1420942	1295	830	520	1475	1650
E346	1420964	1295	830	520	1475	1650
E348	2580298	1295	830	520	1475	1650
Altitude of rotation gear E332 incl. T31 = 667 mm						
Operating pressure: max 300 bar						



Clamshell bucket without a grab cylinder.
Grab rotation gear E 2.62 is required.

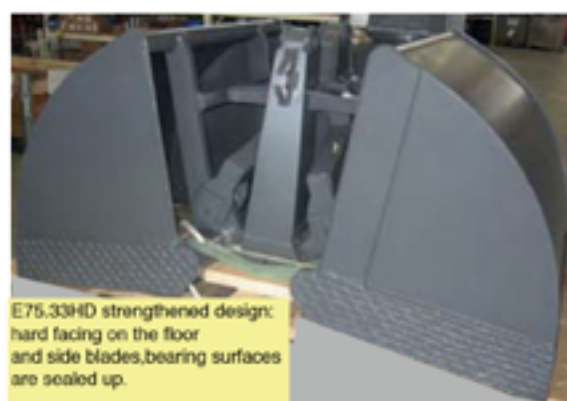
Material no.	Type designation	Width	Litres		Excavator Size T	Weight KG	List price plus VAT
0743780	E 2.66	600	450	with an ejector 4 Screw teeth	17 - 35	750	8.600 €
0743791	E 2.67	850	600	without an ejector 7 Screw teeth	17 - 35	890	10.300 €
6014972	E75.32	1210	1200	without an ejector without teeth	17 - 35	1195	13.400 €
6000759	E75.33	1210	1500	without an ejector without teeth	17 - 35	1270	14.700 €
6152286	E75.33 HD	1210	1500	without an ejector without teeth	17 - 35	1290	20.200 €
6144538	E75.35	1460	1800	without an ejector without teeth	25 - 35	1280	16.200 €
6023077	E 75.36	1610	2000	without an ejector without teeth	25 - 35	1340	16.800 €
3592589	E75.37	2010	2500	without an ejector without teeth	25 - 35	1480	18.400 €
6150177	E75.38	2010	3000	without an ejector without teeth	25 - 35	1550	21.800 €
6089753	E75.40	2610	4000	without an ejector without teeth	25 - 35	1800	22.200 €



Type design	Material no. :	Hg	Ho	La	Sg	So
E2.66	0743780	1690	1125	940	1570	1625
E2.67	0743791	1690	1204	875	1510	1710
E75.32	6014972	1785	1080	875	1800	1940
E75.33	6000759	1885	1090	875	2076	2140
E75.33HD	6152286	1885	1090	875	2076	2140
E75.35	6144538	1885	1090	875	2076	2140
E75.36	6023077	1885	1090	875	2076	2140
E75.37	3592589	1885	1090	875	2076	2140
E75.38	6150177	1885	1106	875	2276	2337
E75.40	6089753	1985	1106	875	2276	2337

Altitude of rotation gear E2.62 incl. articulation piece T72 = 905 mm

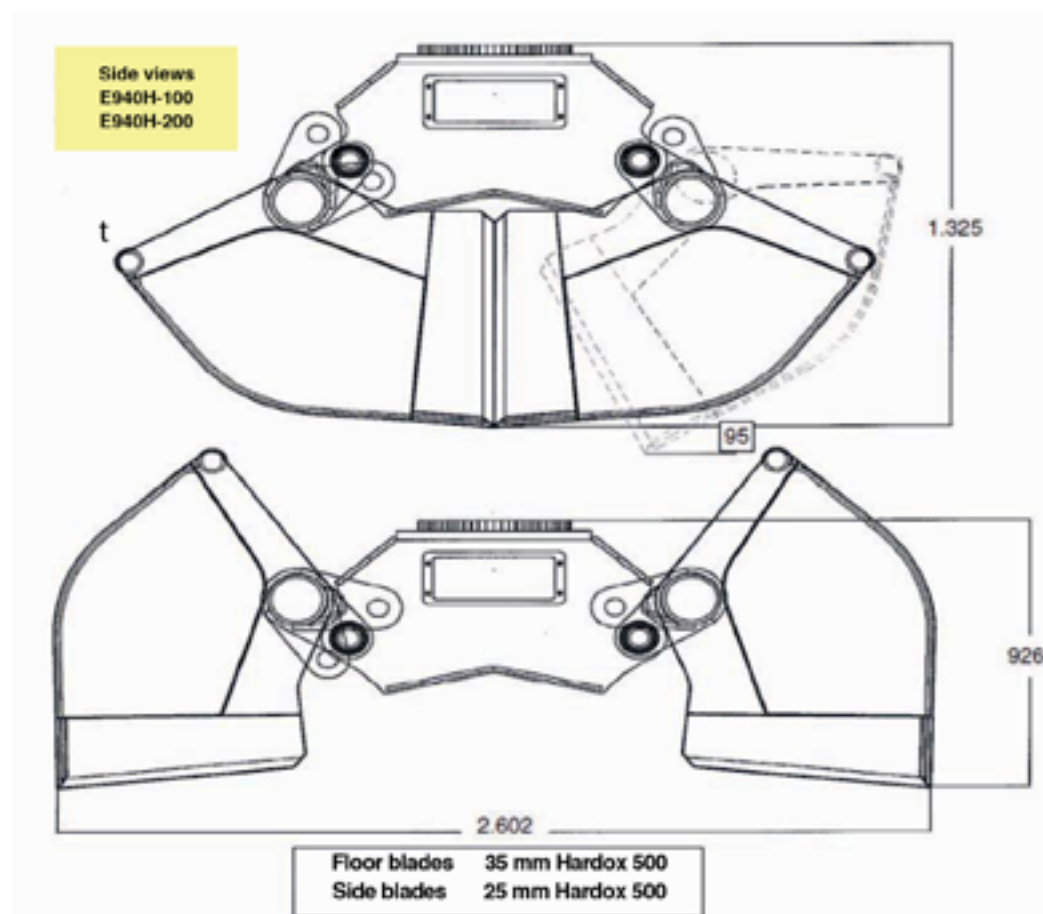
Operating pressure: max 300 bar



E75.33HD strengthened design: hard facing on the floor and side blades, bearing surfaces are sealed up.

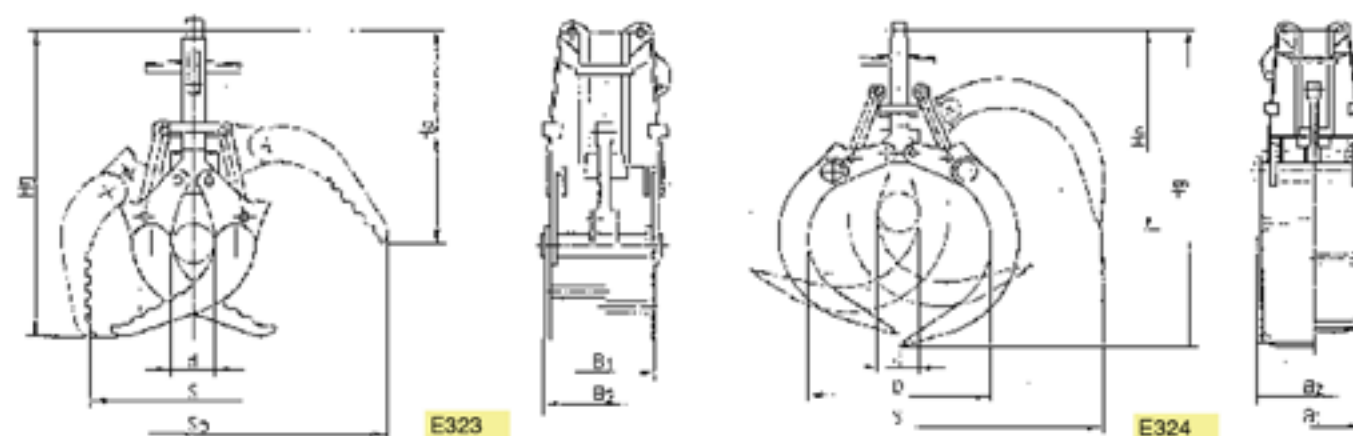
Clamshell bucket with a horizontal grab cylinder.
Grab rotation gear E832-2 is required.

Material no.	Type designation	Width	Litres		Excavator Size T	Weight KG
6157065	E940H-100	1000	1250	without an ejector without teeth	25 - 50	1660
6156173	E940H-200	2000	2500	without an ejector without teeth	25 - 50	2070



**Log grab without a grab cylinder.
Grab rotation gear E 32 is required.**

Material no.	Type designation	Width	DU (Ø) / OM (sq.m.)	suitable for, and required	Excavator Size T	Weight KG
1420931	E 323	Grab for bundles of wood and tree trunks 600	Ø 200 -1.000	E32	12 - 23	404
1420895	E 324	Round log grab 700	1 OM (sq.m.)	E32	12 - 23	480

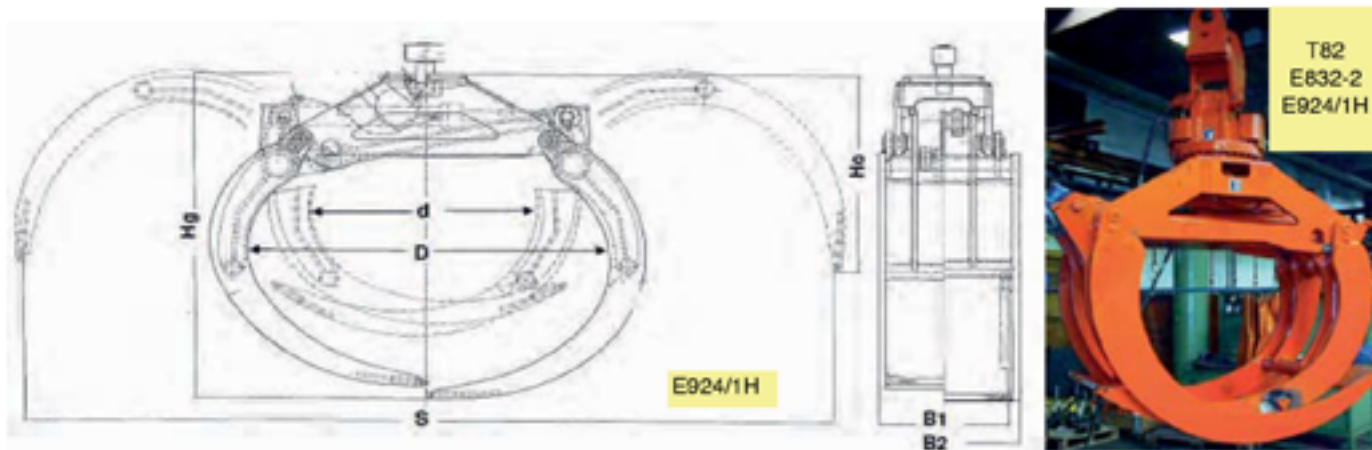
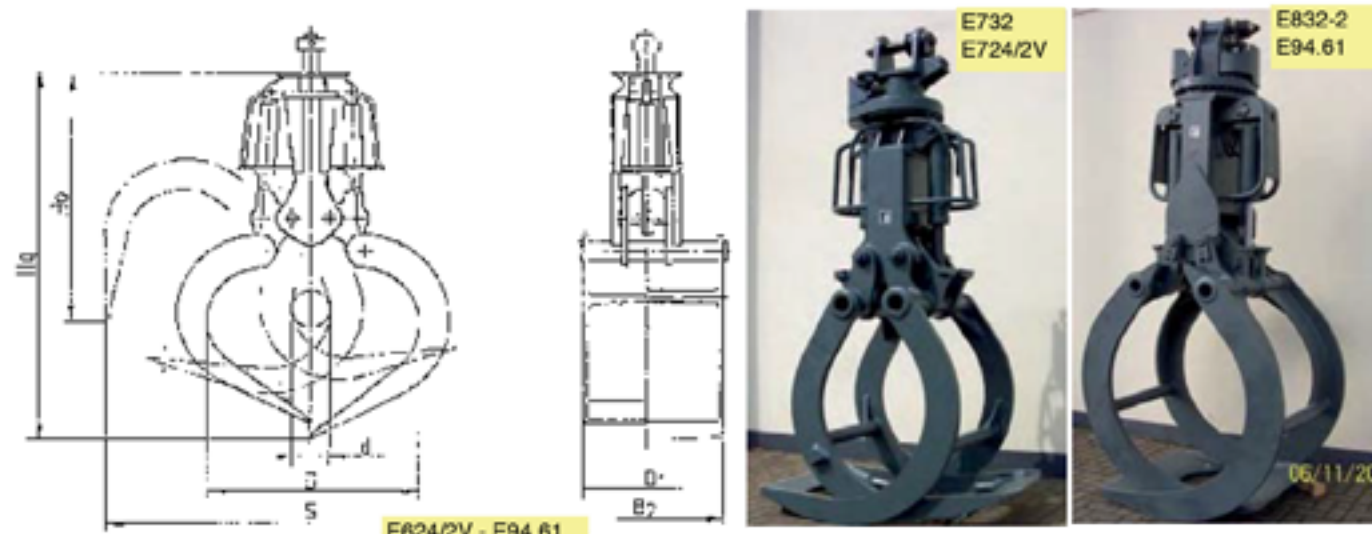


Type design.	Hg	Ho	d	D	S	So	B1	B2
E323	1660	1120	200		1030	1880	480	600
E324	2060	1300	250	1160	2420		590	700
Altitude of rotation gear E32 incl. T31 = 951 mm								
Operating pressure: max 300 bar								



**Log grab with a grab cylinder and rotary feed system.
Grab rotation gear E732 / E832-2 is required.**

Material no.	Type designation	Width	DU (0) / QM (sq.m.)	suitable for, and required	Excavator Size T	Weight KG
6075763	E624/2V	LOG GRAB 800	1	E732, E732-2	17 - 35	1005
6015584	E 724/2V	LOG GRAB 800	1,3	E732, E732-2	17 - 35	1080
6029406	E824/2V	LOG GRAB 800	1,8	E732-2	25 - 35	1075
6068171	E 94.61	LOG GRAB	2	E832-2	35 - 50	1600
6032675	E924/1H	LOG GRAB 850	2,5	E832-2	35 - 50	1680



Type design.	Hg	Ho	d	D	S	B1	B2
E624/2V	2050	1280	200	1150	2450	660	780
E724/2V	2260	1300	300	1400	2980	690	800
E824/2V	2500	1370	400	1710	3470	660	780
E 94.61	2800	1600	500	1640	3515	865	1000
E924/1H	2137	1290	1270	2020	4530	730	850

Altitude of rotation gear E732 incl. T72 = 796 mm
 Altitude of rotation gear E832 incl. T82 = 940 mm
 Operating pressure: max 300 bar

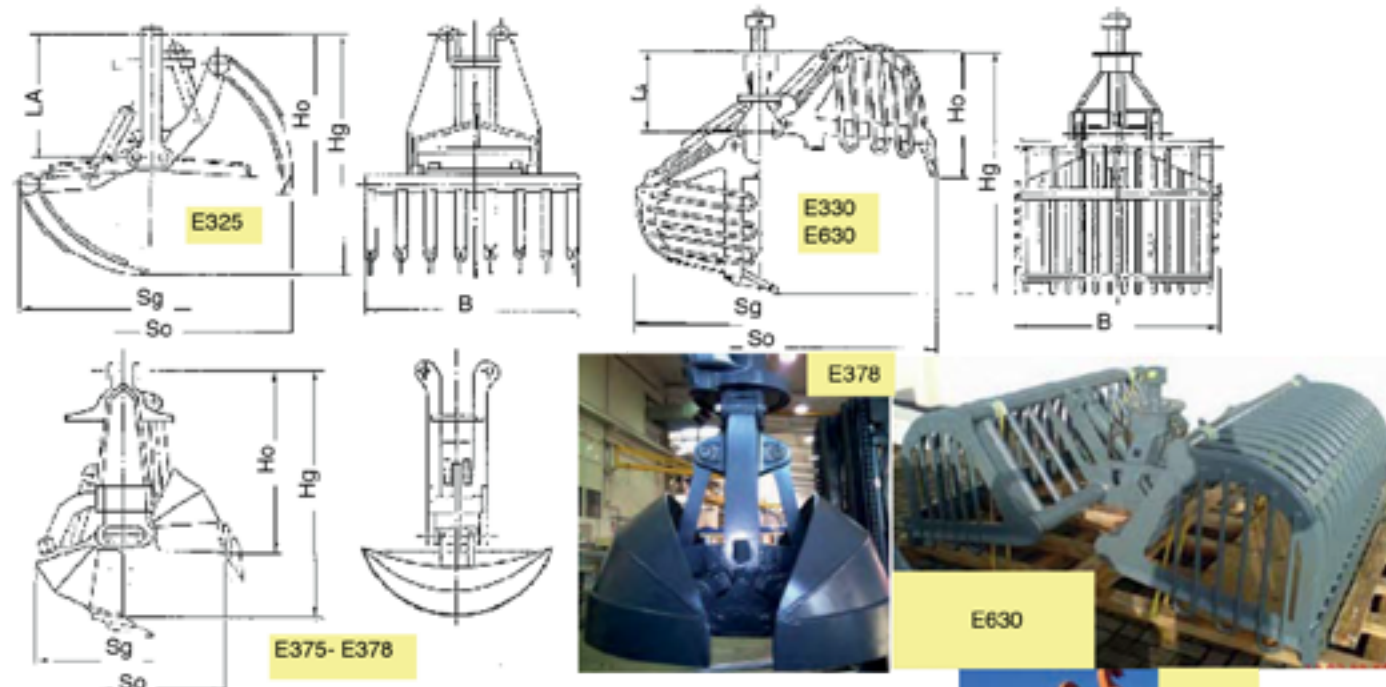
**Multitooth grab and grab for round shafts without grab cylinder.
Grab rotation gear E 32 is required.**

Material no.	Type designation	Width	Litres		Excavator Size T	Weight KG
1542949	E325	Multitooth grab 1.250	650	with an ejector 16 weld-on teeth	12 - 23	650
720976	E375	Grab for round shafts Ø 900		with an ejector without teeth	12 - 23	330
720987	E376	Grab for round shafts Ø 1,000		with an ejector without teeth	12 - 23	370
720998	E377	Grab for round shafts Ø 1,100		with an ejector without teeth	12 - 23	480
3514381	E378	Grab for round shafts Ø 1,200		with an ejector without teeth	12 - 23	520

Optionally with teeth at extra cost!

**Beet grab with two horizontal grab cylinders
and a rotary feed system; short design. Grab rotation gear E 332 is required.**

Material no.	Type designation	Width	Litres		Excavator	Weight KG
5433865	E330	1.300	1.000	without an ejector	12 - 23	850
5433570	E630	1.850	1.300	without an ejector	12 - 23	950
4685674	LASTH. 5TO	load hook 5 t for welding				5



Type design.	Hg	Ho	LA	Sg	So
E325	1660	1020	800	1500	1410
E375	1225	970	840	840	DU900
E376	1275	980	840	940	DU1000
E377	1285	950	800	1030	DU1100
E378	1335	960	800	1130	DU1200
E330	1600	860	520	1550	2280
E630	1600	860	520	1550	2280

Altitude of rotation gear E32 incl. T31 = 951 mm
Altitude of rotation gear E332 incl. T31 = 667 mm
Operating pressure: max 300 bar



Demolition and sorting grab, freely swinging.
Grab rotation gear for E 332 is required.

Material no.	Type designation	Width	Litres		Excavator Size T	Weight KG
5459901	E337	1055	300	Metal ribs	13 - 23	740

Demolition and sorting grab
Swivel movement via a dipper-tipping cylinder

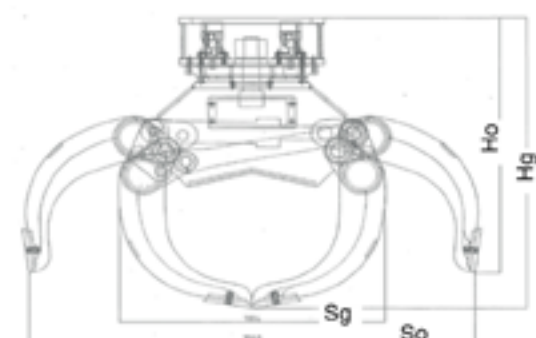
Material no.	Type designation	Width	Litres		Excavator Size T	Weight KG
6144921	E150-800	800	300	Metal ribs	11 - 15	740
6145719	E150-800LR	800	300	Opening rear wall	11 - 15	760
6135271	E200-1000	1.000	400	Metal ribs	13 - 20	1015
6145720	E200-1000LR	1.000	400	Opening rear wall	13 - 20	950
6144890	E270-1200	1.200	800	Metal ribs	20 - 27	1600
6145731	E270-1200LR	1.200	800	Opening rear wall	20 - 27	1300

Screw adaptor suitable for demolition and sorting grab E150 - E270

6144313	SA-FEST-270	Screw adaptor for permanent installation, arm width 268, Ø 60				115
6125048	SA T620	Screw adaptor for T620V				115
6140268	SA T63.20	Screw adaptor for T63.20				190
6135747	SA MS10	Screw adaptor for Lehnhoff MS10				100
6135735	SA MS21	Screw adaptor for Lehnhoff MS21				120
6147869	SA CW30/40	Screw adaptor for Verachtert CW30/40				120

Screw adapter for without dipper tipping cylinder, also swinging

6154187	SA E150-270 F.T31	SCREW ADAPTER FIXED	SA E150-270 F.T31		100
6159291	SA E150-270 F.T72	SCREW ADAPTER FIXED	SA E150-270 F.T72		120

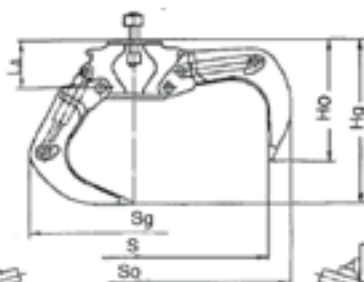
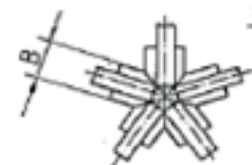
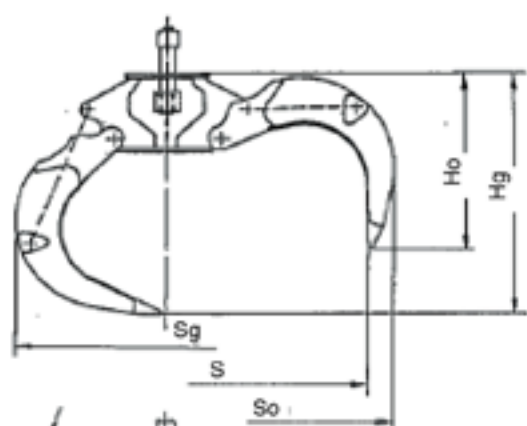


Type design	Hg	Ho	Sg	So
E337	1040	824	1070	1770
E150-800	1100	980	915	1510
E150-800LR	1100	980	915	1510
E200-1000	1310	1150	1104	1660
E200-1000LR	1310	1150	1104	1660
E270-1200	1325	1515	1330	2250
E270-1200LR	1325	1515	1330	2250



**Multi-jaw grab with 5 grab cylinders and a rotary feed system.
Grab rotation gear is required.**

Material no.	Type designation	Grab shells Number and shape	Litres	suitable for, grab rotation gear	Excavator Size T	Weight KG
1446191	E121	5 x semi-closed	275	E11.32	6 - 11	550
2511762	E122	5 x completely closed	300	E11.32	6 - 11	580
4553835	E 320	5 x open	350	E732, E732-2	12 - 25	995
5448680	E 321	5 x semi-closed	350	E732, E732-2	12 - 25	1040
6027107	E322	5 x completely closed	350	E732, E732-2	12 - 25	1083

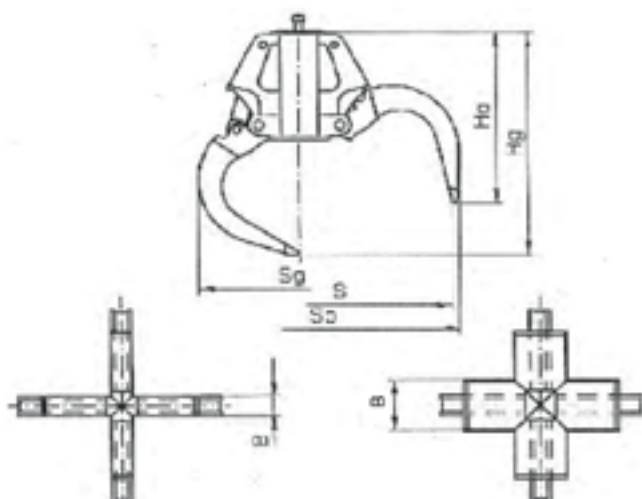


Type design.	Hg	Ho	Sg	So	S	B
E121	1035	750	1230	1850	1650	320
E122	1035	750	1230	1850	1650	575
E320	1170	905	1430	2050	1750	200
E321	1170	905	1430	2050	1750	350
E322	1170	905	1430	2050	1750	625

Altitude of rotation gear E11.32 incl. T11.4 = 554 mm Druck max 250 bar
 Altitude of rotation gear E732 incl. T64 = 870 mm Druck max 300 bar

**Multi-jaw grab with 4 grab cylinders and a rotary feed system.
Grab rotation gear is required.**

Material no.	Type designation	Grab shells Number and shape	Litres	suitable for, grab rotation gear	Excavator Size T	Weight KG
6147728	E640-4	4 x open	400	E732, E732-2	17 - 35	950
6147894	E641-4	4 x semi-closed	400	E732, E732-2	17 - 35	1075
6147895	E650-4	4 x open	500	E732, E732-2	17 - 35	1000
5403085	E651-4	4 x semi-closed	500	E732, E732-2	17 - 35	1125
6121831	E651-4-700-HS	4 shells: 700 mm (width) Tine tips of HARDOX	500	E732, E732-2	17 - 35	1275
6147896	E750-4	4 x open	600	E732, E732-2	17 - 35	1070
6103759	E751-4	4 x semi-closed	600	E732, E732-2	17 - 35	1185
6147922	E760-4	4 x open	700	E732, E732-2	17 - 35	1130
6147923	E761-4	4 x semi-closed	700	E732, E732-2	17 - 35	1150
6149607	E770-4	4 x open	800	E732, E732-2	17 - 35	1160
6149609	E771-4	4 x semi-closed	800	E732, E732-2	17 - 35	1230
6147934	E780-4	4 x open	900	E732, E732-2	20 - 35	1195
6147935	E781-4	4 x semi-closed	900	E732, E732-2	20 - 35	1310
6105402	E790-4	4 x open	1000	E732, E732-2	20 - 35	1150
6120825	E791-4	4 x semi-closed	100	E732, E732-2	20 - 35	1235



Type design.	Hg	Ho	Sg	So	S	B
E640-4	1620	1293	1345	2130	1346	2130
E641-4	1620	1293	1345	2130	1935	450
E650-4	1700	1325	1400	2280	2080	175
E651-4	1700	1325	1400	2280	2080	450
E651-4-700-HS	1700	1325	1400	2280	2080	700
E750-4	1750	1345	1450	2385	2175	175
E751-4	1750	1345	1450	2380	2175	450
E760-4	1780	1352	1480	2420	2230	175
E761-4	1780	1352	1480	2420	2230	450
E770-4	1850	1395	1550	2520	2340	175
E771-4	1850	1395	1550	2520	2340	450
E780-4	1910	1435	1620	2640	2440	175
E781-4	1910	1435	1620	2640	2440	450
E790-4	1950	1416	1640	2740	2550	175
E791-4	1950	1416	1640	2740	2550	450

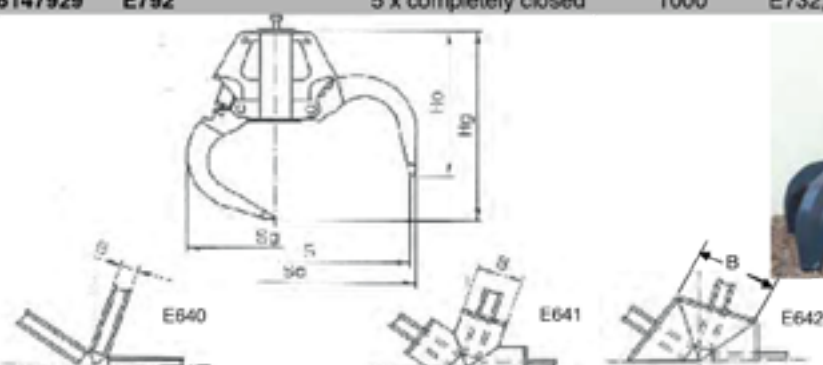
Allitude of rotation gear E732 incl. T72 = 800 mm

Pressure: max. 300 bar



**Multi-jaw grab with 5 grab cylinders and a rotary feed system.
Grab rotation gear is required.**

Material no.	Type designation	Grab shells Number and shape	Litres	suitable for, grab rotation gear	Excavator Size T	Weight KG
6147727	E640	5 x open	400	E732, E732-2	17 - 35	1150
6146940	E641	5 x semi-closed	400	E732, E732-2	17 - 35	1265
6147729	E642	5 x completely closed	400	E732, E732-2	17 - 35	1280
4538154	E 650	5 x open	500	E732, E732-2	17 - 35	1200
4532318	E 651	5 x semi-closed	500	E732, E732-2	17 - 35	1350
6101236	E652	5 x completely closed	500	E732, E732-2	17 - 35	1360
4533853	E 750	5 x open	600	E732, E732-2	17 - 35	1270
4533842	E 751	5 x semi-closed	600	E732, E732-2	17 - 35	1360
3550976	E752	5 x completely closed	600	E732, E732-2	17 - 35	1400
6147897	E760	5 x open	700	E732, E732-2	17 - 35	1240
3572369	E761	5 x semi-closed	700	E732, E732-2	17 - 35	1380
6147928	E762	5 x completely closed	700	E732, E732-2	17 - 35	1520
6149608	E770	5 x open	800	E732, E732-2	17 - 35	1280
6149610	E771	5 x semi-closed	800	E732, E732-2	17 - 35	1430
6149631	E772	5 x completely closed	800	E732, E732-2	17 - 35	1560
6147898	E780	5 x open	900	E732, E732-2	20 - 35	1320
6147899	E781	5 x semi-closed	900	E732, E732-2	20 - 35	1480
6147931	E782	5 x completely closed	900	E732, E732-2	20 - 35	1600
6147900	E790	5 x open	1000	E732, E732-2	20 - 35	1350
4558307	E791	5 x semi-closed	1000	E732, E732-2	20 - 35	1400
6147929	E792	5 x completely closed	1000	E732, E732-2	20 - 35	1760



Type design.	Hg	Hb	Sg	So	S	B
E640	1620	1293	1345	2130	1935	175
E641	1620	1293	1345	2130	1935	450
E642	1620	1293	1345	2130	1935	780
E650	1700	1325	1400	2280	2080	175
E651	1700	1325	1400	2280	2080	450
E652	1700	1325	1400	2280	2080	780
E750	1750	1345	1450	2385	2175	175
E751	1750	1345	1450	2385	2175	450
E752	1750	1345	1450	2385	2175	800
E760	1780	1352	1480	2420	2230	175
E761	1780	1352	1480	2420	2230	450
E762	1780	1352	1480	2420	2230	820
E770	1850	1395	1550	2520	2340	175
E771	1850	1395	1550	2520	2340	450
E772	1850	1395	1550	2520	2340	835
E780	1910	1435	1620	2640	2440	175
E781	1910	1435	1620	2640	2440	450
E782	1910	1435	1620	2640	2440	850
E790	1950	1416	1640	2740	2550	175
E791	1950	1416	1640	2740	2550	450
E792	1950	1416	1640	2740	2550	880

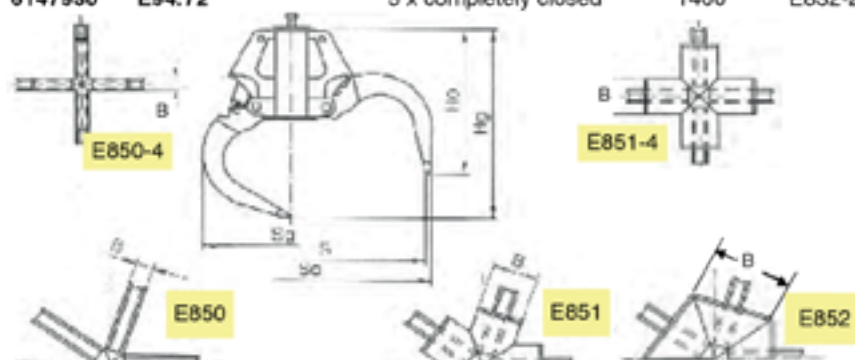
Altitude of rotation gear E732 incl. T72 = 800 mm

Pressure: max. 300 bar



Multi-jaw grab with 4 / 5 grab cylinders and a rotary feed system
Grab rotation gear is required.

Material no.	Type designation	Grab shells Number and shape	Litres	suitable for, grab rotation gear	Excavator Size T	Weight KG
4543822	E850-4	4 x open	700	E832-2	25 - 50	1100
4537380	E850	5 x open	700	E832-2	25 - 50	1390
6077566	E851-4	4 x semi-closed	700	E832-2	25 - 50	1260
4537448	E851	5 x semi-closed	700	E832-2	25 - 50	1540
6059333	E852	5 x completely closed	700	E832-2	25 - 50	1650
6147924	E860-4	4 x open	900	E832-2	25 - 50	1150
4538778	E860	5 x open	900	E832-2	25 - 50	1420
4564372	E861-4	4 x semi-closed	900	E832-2	25 - 50	1340
4534514	E861	5 x semi-closed	900	E832-2	25 - 50	1640
6031873	E862	5 x completely closed	900	E832-2	25 - 50	1730
6147925	E94.50-4	4 x open	1100	E832-2	25 - 50	1280
6023071	E94.50	5 x open	1100	E832-2	25 - 50	1445
6077568	E94.51-4	4 x semi-closed	1100	E832-2	25 - 50	1400
6022873	E94.51	5 x semi-closed	1100	E832-2	25 - 50	1678
6031869	E94.52	5 x completely closed	1100	E832-2	25 - 50	1821
6147926	E94.70-4	4 x open	1400	E832-2	25 - 50	1400
6147921	E94.70	5 x open	1400	E832-2	25 - 50	1670
6147927	E94.71-4	4 x semi-closed	1400	E832-2	25 - 50	1450
6043015	E94.71	5 x semi-closed	1400	E832-2	25 - 50	1730
6147930	E94.72	5 x completely closed	1400	E832-2	25 - 50	2100



E861 + E832 + T82 + HP

Type design.	Hg	Hb	Sg	So	S	B
E850-4	1820	1430	1520	2460	2260	175
E850	1820	1430	1520	2460	2260	175
E851-4	1820	1430	1520	2460	2500	450
E851	1820	1430	1520	2460	2260	450
E852	1820	1430	1520	2460	2260	840
E860-4	1950	1475	1650	2700	2500	175
E860	1950	1475	1650	2700	2500	175
E861-4	1950	1475	1650	2700	2690	450
E861	1950	1475	1650	2700	2500	450
E862	1950	1475	1650	2700	2500	900
E94.50-4	2050	1515	1734	2890	2260	175
E94.50	2050	1515	1734	2890	2690	175
E94.51-4	2050	1515	1734	2890	2690	450
E94.51	2050	1515	1734	2890	2690	450
E94.52	2050	1515	1734	2890	2690	960
E94.70-4	2150	1551	1872	3102	2872	175
E94.70	2150	1551	1872	3102	2872	175
E94.71-4	2150	1551	1872	3102	2872	450
E94.71	2150	1551	1872	3102	2872	450
E94.72	2150	1551	1872	3102	2872	1050

Altitude of rotation gear E832-2 incl. T82 = 940 mm Pressure: max. 300 bar



E852 + E832 + HP

Connecting part for a hydraulic hammer

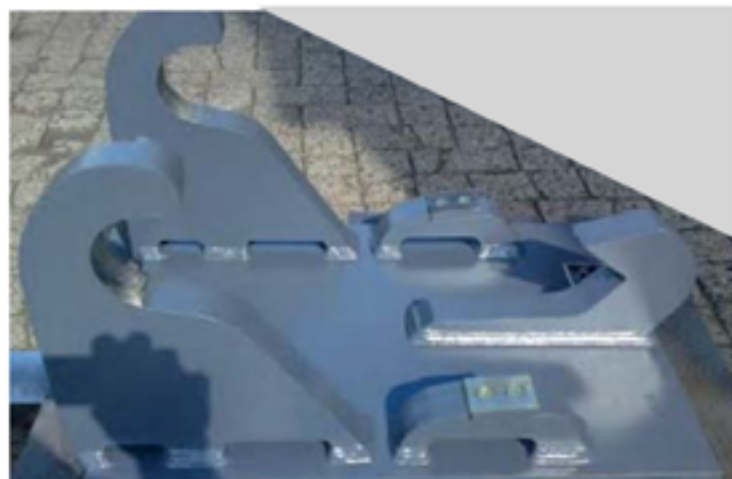
Material no.	Type designation	suitable for SWE (quick change devices)	Hammer types	Weight KG
4584309	T 11.50	T11.20 without screws	HM110, HM135-HM350V	40
3548143	T 650	T620V , T620H with screws and nuts 16 x M20x85	KRUPP HM110-HM600 MONTABERT BRH250-900, 500, 700, 1000 640x485x25 base plate	125
5411734	T 650 without openings	T620V , T620H	for all purposes without openings 640x485x25 base plate	125
4558443	T 63.50	T63.20, T63.20H without screws	KRUPP HM350,500,550,560,580,600, KRUPP HM700,711,712,720,800,951,952,960,1000 MONTABERT BRH501,620,625,750,900	200
4543708	T 750	T 722, T 722 H without screws	KRUPP HM350,500,550,560,580,600, KRUPP HM700,711,712,720,800,951,952,960,1000 MONTABERT BRH501,620,625,750,900	214

Connecting plate for welding on the rear side of the dipper

Material no.	Type designation	suitable for SWE (quick change devices)		Weight KG
4504256	T 11.55	T11.20		40
4542252	T652	T620V u T620H	for ATLAS bucket with a cross-tube Ø 178	66
3548121	T 655	T620V u T620H		81
6014424	T 63.55	T63.20, T 63.20H		215
4543731	T 755	T 722, T 722 H		230

Adapters for rock buckets and trench diggers

Material no.	Type designation	suitable for,	a dipper for permanent installation		Weight KG
			Bolts, Ø	Arm width in mm	
3550249	T 658	T620V	60	268	130
6027091	T63.58	T63.20, T 63.20H	80	300	250



T650 without openings



T658

Product line of dippers and buckets

By means of the different forms and shapes of the products, the range of buckets and dippers of ATLAS offers products for any kind of application, which in addition are optimally adapted to the relevant carrier.

- Bucket
- Rock bucket
- Trench lining bucket
- Dipper for loamy soil
- Heavy duty fork
- Drainage bucket
- Trench digger
- All-purpose dipper

In accordance with the relevant dimensions of the articulated jib ends, the product line of buckets and dippers is divided as follows:

- Dipper attachments for articulated jib end 168 mm (closed) / Ø 50 mm
- Dipper attachments for articulated jib end 268 mm (closed) / Ø 60 mm

ATLAS buckets and dippers meet the requirements of the civil engineering:

- The grade of the steel and the special design guarantee stability and wear resistance.
- All parts particularly subject to wear as floor and side blades as well as the floor panel are made of high-strength surface-coated fine-grain structural steel.
- Easy penetration is provided by the free punch due to the slightly conical shape of the dipper. Teeth holders feature flat design and are incorporated in the blade. Flat design provides less digging resistance and high efficiency, for example when unloading, i.e. more work cycles.

For the different types of soil we provide teeth of different shapes:



Attachments for dippers

Buckets and dippers are suitable for all kinds of application, incl. when high tearing forces are required as for rock breaking off and other demolition works. Teeth are internally welded on and with replaceable tine tips.

Bucket for ATLAS 1004, teeth are internally welded on and with replaceable ATLAS Z2 tine tips.

Material no.	Type designation	Width	Number of teeth	Litres	suitable for arm width and		Weight KG
					Boles, Ø (mm), SWE (quick change devices)	Excavator Size T	
4569311	F 03.12	500	3	230	168/50	6 - 11	185
4569322	F 03.12 SW	500	3	230	T11.20	6 - 11	200
4569333	F 03.13	600	4	300	168/50	6 - 11	210
4569344	F 03.13 SW	600	4	300	T11.20	6 - 11	230
4575400	F 03.15	850	5	460	168/50	6 - 11	260
4569366	F 03.15 SW	850	5	460	T11.20	6 - 11	280

Bucket for ATLAS 1104 and 1204, teeth are internally welded on and with replaceable ATLAS Z2 tine tips.

Material no.	Type designation	Width	Number of teeth	Litres	suitable for arm width and		Weight KG	
					Boles, Ø (mm), SWE (quick change devices)	Excavator Size T		
4569377	F 13.12	500	3	230	268/60	9 - 13	210	
4569388	F 13.12SW	500	3	230	T620V/T620H	9 - 13	250	
4569399	F 13.13	600	4	300	268/60	9 - 13	245	
4569402	F 13.13 SW	600	4	300	T620V/T620H	9 - 13	270	
4569413	F 13.14	700	4	360	268/60	9 - 13	265	
4569424	F 13.14SW	700	4	360	T620V/T620H	9 - 13	300	
4577457	F 13.15	850	5	460	268/60	9 - 13	300	
4574523	F 13.15 SW	850	5	460	T620V/T620H	9 - 13	330	
4569435	F 13.16	1000	5	560	268/60	9 - 13	330	
4569446	F 13.16 SW	1000	5	560	T620V/T620H	9 - 13	365	
3130934	LHANBSATZ 5TO.TL	Load hook 5 t for retrofitting						7


F13.13

No additional costs for special colors.


**F13.16SW-1150mm
6149218**

Special widths are available, too.

Bucket: standard design with ATLAS B1 tooth system or a non-serrated blade

Material no.	Type designation n.s.b. = non-serrated blade	Width	Number of teeth	Litres	suitable for arm width and		Excavator Size T	Weight KG
					bolts, Ø (mm) SWE (quick change devices)			
3174049	F 412	500	3	330	268/60		12 - 17	320
6150189	F 412 n.s.b.	500		330	268/60		12 - 17	300
3179204	F 412 SW	500	3	330	T620V/T620H		12 - 17	320
6017022	F 412 SW n.s.b.	500		330	T620V/T620H		12 - 17	300
4107813	AZS F412	540		Scraper blade above the tine tips				35
3174061	F 413	600	3	420	268/60		12 - 17	340
3515177	F 413 n.s.b.	600		420	268/60		12 - 17	320
3179259	F 413 SW	600	3	420	T620V/T620H		12 - 17	370
6149821	F 413 SW n.s.b.	600		420	T620V/T620H		12 - 17	350
3532214	AZS F413	640		Scraper blade above the tine tips				50
3171422	F 415	850	4	670	268/60		12 - 17	430
3519013	F 415 n.s.b.	850		670	268/60		12 - 17	390
3175175	F 415 SW	850	4	670	T620V/T620H		12 - 17	450
3552878	F 415SW n.s.b.	850		670	T620V/T620H		12 - 17	415
6093654	F415MS10	850	4	670	Lehnhoff MS 10		12 - 17	515
3532236	AZS F415	890		Scraper blade above the tine tips				63
3174129	F 416	1000	5	820	268/60		12 - 17	480
3518589	F 416 n.s.b.	1000		820	268/60		12 - 17	450
3186236	F 416 SW	1000	5	820	T620V/T620H		12 - 17	500
3513277	F 416 SW n.s.b.	1000		820	T620V/T620H		12 - 17	470
4100576	AZS F416	1040		Scraper blade above the tine tips				70
3174141	F 417	1100	5	920	268/60		12 - 17	510
3081752	F 417 n.s.b.	1100		920	268/60		12 - 17	450
3186156	F 417 SW	1100	5	920	T620V/T620H		12 - 17	550
3561800	F 417 SW n.s.b.	1100		920	T620V/T620H		12 - 17	500
4100996	AZS F417	1140		Scraper blade above the tine tips				80
3174163	F 418	1300	6	1120	268/60		12 - 17	550
3512425	F 418 n.s.b.	1300		1120	268/60		12 - 17	500
3186178	F 418 SW	1300	6	1120	T620V/T620H		12 - 17	600
3503957	F 418 SW n.s.b.	1300		1120	T620V/T620H		12 - 17	550
4107835	AZS F418	1340		Scraper blade above the tine tips				90
3130934	LHANBSATZ 5TO.TL.S			S Load hook 5 t for retrofitting				7


F415SW

F415MS10

 Special-application
buckets, for
example F417SW
with metal ribs
6124924


Scraper blade mounted at F413



Rock bucket - HD-design with wear plates and ATLAS B2 tooth system

Material no.	Type designation	Width	Number of teeth	Litres	suitable for		Excavator Size T	Weight KG
					arm width and	bolts, Ø (mm) SWE		
3174083	F643	600	3	420	268/60	15 - 20	400	
3186190	F643SW	600	3	420	T620V/T620H	15 - 20	440	
3172003	F645	850	4	670	268/60	15 - 20	500	
3186214	F645SW	850	4	670	T620V/T620H	15 - 20	540	
3174185	F 647	1100	5	920	268/60	15 - 20	620	
3186134	F 647 SW	1100	5	920	T620V/T620H	15 - 20	660	
3174209	F 648	1300	5	1120	268/60	15 - 20	660	
3186112	F648SW	1300	5	1120	T620V/T620H	15 - 20	700	
4569457	F63.23	600	3	430	300/80	17 - 25	480	
4569468	F63.23SW	600	3	430	T63.20/T63.20H	17 - 25	530	
4569479	F 63.24	700	4	530	300/80	17 - 25	535	
4569480	F 63.24 SW	700	4	530	T63.20/T63.20H	17 - 25	590	
4569491	F 63.25	850	4	670	300/80	17 - 25	590	
4569004	F 63.25 SW	850	4	670	T63.20/T63.20H	17 - 25	645	
4569060	F 63.15	850	4	750	300/80	17 - 25	640	
4569071	F 63.15 SW	850	4	750	T63.20/T63.20H	17 - 25	670	
4569015	F 63.26	1000	4	830	300/80	17 - 25	635	
4569026	F 63.26 SW	1000	4	830	T63.20/T63.20H	17 - 25	690	
4574421	F 63.27	1100	4	930	300/80	17 - 25	680	
4569037	F 63.27 SW	1100	4	930	T63.20/T63.20H	17 - 25	740	
4574432	F 63.28	1300	4	1140	300/80	17 - 25	780	
4569048	F 63.28 SW	1300	4	1140	T63.20/T63.20H	17 - 25	815	
4573522	F 63.29	1500	4	1340	300/80	17 - 25	840	
4569059	F 63.29 SW	1500	4	1340	T63.20/T63.20H	17 - 25	895	
3130934	LHANBSATZ 5TO.TL.S				Load hook 5 t for retrofitting		7	



Rock bucket - HD-design with wear plates and ATLAS B3 tooth system

Material no.	Type designation	Width	Number of teeth	Litres	suitable for arm width and		Excavator Size T	Weight KG
					bolts, Ø (mm) SWE (quick change devices)			
3177768	F 748	1300	5	1260	forked/80		22 - 28	930
3564143	F 748 SW	1300	5	1260	T722/T722H		22 - 28	980
3177848	F 718	1500	5	1500	forked/80		22 - 28	1005
3564110	F 718 SW	1500	5	1500	T722/T722H		22 - 28	1070
3130934	LHANBSATZ 5TO.TLS			Load hook 5 t for retrofiting				7

Rock bucket - HD-design with wear plates and ATLAS B4 and a load hook 12,5 To. outside SW (quick coupler) dipper

Material no.	Type designation	Width	Number of teeth	Litres	suitable for arm width and		Excavator Size T	Weight KG
					bolts, Ø (mm) SWE (quick change devices)			
3183415	F 847	1000	3	910	forked/80		28 - 35	800
3564325	F 847 SW	1000	3	910	T722/T722H		28 - 35	850
3183528	F 849	1500	5	1500	forked/80		28 - 35	1140
3564267	F 849 SW	1500	5	1500	T722/T722H		28 - 35	1200

Notice:

Upper buckets with a non-serrated blade with internally welded ATLAS-Z 3 teeth or Esco tooth system Super-V or are available, too.

Other special widths, as well as capacities and holders - Verachttert etc. - do not present a problem for us. Do not hesitate to contact us: we will be pleased to present an offer to you.

It goes without saying that in addition to the quick couplers listed above, we are in a position to offer as well original LEHNHOFF attachments. Do not hesitate to contact us - we will be pleased to present an offer to you.

The original ATLAS attachments may be fitted with Lehnhoff quick change mounting system MS08/MS10/MS21/MS25 or other quick change mounting systems as Verachttert, OilQuick etc. as indicated in some of the examples: F415MS10, G644MS21 etc., as specified in this price list.



Rock bucket - HD-design with wear plates suitable for 210 - 260LC with CAT tooth system

Material no.	Type designation	Width	Number of teeth	Litres	suitable for arm width and		Excavator Size T	Weight KG
					bolts, Ø (mm)	SWE (quick change devices)		
6149301	F75.15	850	4x 1U3352	680	311/80		22 - 28	666
6083115	F75.15MS21	850	4x 1U3352	680	Lehrhoff MS 21		22 - 28	630
6149303	F75.17	1100	4x 1U3352	940	311/80		22 - 28	820
6083119	F75.17MS21	1100	4x 1U3352	940	Lehrhoff MS 21		22 - 28	820
6149305	F75.18	1300	4x 1U3352	1160	311/80		22 - 28	830
6083132	F75.18MS21	1300	4x 1U3352	1160	Lehrhoff MS 21		22 - 28	880
6149306	F75.09	1500	4x 1U3352	1370	311/80		22 - 28	991
6091486	F75.09MS21	1500	4x 1U3352	1370	Lehrhoff MS 21		22 - 28	950
6101086	F75.29	1600	4x 1U4452	1650	311/80		22 - 28	1420
6123181	F75.29MS21	1600	4x 1U4452	1650	Lehrhoff MS 21		22 - 28	1300
3130934	LHANBSATZ 5TO.TL.S				Load hook 5 t for retrofitting			7



F75.15



F75.17MS21

Drainage bucket

Suitable for application in sticky material.

Scope of delivery: Screw teeth, hydr. ejectors, 2 hoses

Material no.	Type designation	Width	Number of teeth	Litres	suitable for arm width and		Weight KG
					bolts, Ø (mm) SWE (quick change devices)	Excavator Size T	
3077814	F 17.2	300	2 G25	130	168/50	6 - 11	220
3507893	F 17.2SW	300	2 G25	130	T11.20	6 - 11	240
3507837	F 17.3	400	3 G25	190	168/50	6 - 11	240
3507928	F 17.3SW	400	3 G25	190	T11.20	6 - 11	260
3080148	F 402	300	2 G30	200	268/60	12 - 20	310
3080171	F 402 SW	300	2 G30	200	T620V/T620H	12 - 20	375
3080160	F 403	400	3 G30	285	268/60	12 - 20	345
3080182	F 403 SW	400	3 G30	285	T620V/T620H	12 - 20	410
6068774	F 403MS10	400	3 G30	285	Lehnhoff MS 10	12 - 20	410

Trench lining bucket: flat shape, with a non-serrated blade.

Material no.	Type designation	Width	Litres	suitable for arm width and		Weight KG
				bolts, Ø (mm) SWE (quick change devices)	Excavator Size T	
3171875	F 435	850	490	268/60	10 - 20	290
3183631	F 435 SW	850	490	T620V/T620H	10 - 20	315
respectively with openings in the floor blade for 4 teeth 3604459						
4569082	F 63.35	850	530	300/80	17 - 25	420
4569093	F 63.35 SW	850	530	T63.20/T63.20H	17 - 25	510

All-purpose bucket, round shape, for light soils, with a non-serrat

3159551	F 438	1110	1300	268/60	12 - 20	440
3186054	F 438 SW	1110	1300	T620V/T620H	12 - 20	480
respectively with openings in the floor blade for 5 teeth 3604459						

Dipper for loamy soil, slender design, without ejector

Material no.	Type designation	Width	Litres	suitable for arm width and		Weight KG
				bolts, Ø (mm) SWE (quick change devices)	Excavator Size T	
3569488	F 01.4	400	200	168/50	6 - 11	140
3589813	F 01.4 SW	400	200	T11.20	6 - 11	172
respectively with openings in the floor blade for 3 teeth 3646766						
3171717	F 454	400	260	268/60	10 - 20	220
3186098	F 454 SW	400	260	T620V/T620H	10 - 20	265
respectively with openings in the floor blade for 2 teeth 3604459						
3171739	F 455	500	350	268/60	10 - 20	245
3186076	F 455SW	500	350	T620V/T620H	10 - 20	280
6019753	F 456	600	400	268/60	10 - 20	270
6019755	F 456 SW	600	400	T620V/T620H	10 - 20	300
respectively with openings in the floor blade for 3 teeth 3604459						

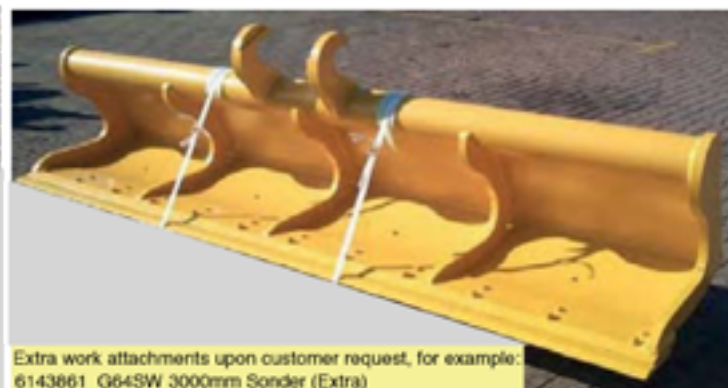


Trench digger: rear blade, screwed sharp floor blade with water holes in the rear wall up to G69SW.

Material no.	Type designation	Width	Litres	suitable for arm width and		Excavator Size T	Weight KG
				bolts, Ø (mm) SWE (quick change devices)			
2232242	G 11.2	1500	260	168/50		6 - 11	225
3110429	G 11.2 SW	1500	260	T11.20		6 - 11	235
1446351	G 62	2000	400	268/60		12 - 20	345
2213669	G 62SW	2000	400	T620V/T620H		12 - 20	360
1446373	G 64	2000	560	268/60		12 - 20	405
2213647	G 64 SW	2000	560	T620V/T620H		12 - 20	415
6132650	G64MS10	2000	560	Lehnhoff MS 10		12 - 20	420
1446384	G 69	2200	700	268/60		12 - 20	480
2213636	G 69SW	2200	700	T620V/T620H		12 - 20	490
3084562	G 624	2000	800	268/60		12 - 20	600
3551148	G 624SW	2000	800	T620V/T620H		12 - 20	610
G624 equipped as a tool carrier, no rear blade, with a holder for pallet forks							
4569128	G 63.34	2000	710	300/80		17 - 25	590
4569139	G 63.34SW	2000	710	T63.20/T63.20H		17 - 25	670
4569140	G 63.36	2000	900	300/80		17 - 25	615
4569151	G 63.36SW	2000	900	T63.20/T63.20H		17 - 25	695

G11.2

G64SW

G69SW


Extra work attachments upon customer request, for example:
6143661 G64SW 3000mm Sonder (Extra)

Trench digger with a rear blade and screwed floor blade, swivelling: 2 x through 45 degrees, incl. 2 hydraulic swivelling cylinders with hoses up to the articulated jib with water holes in the rear wall up to G649MS21.

Material no.	Type designation	Width	Litres	suitable for arm width and		Excavator Size T	Weight KG
				bolts, Ø (mm)	SWE (quick change devices)		
3560092	G 11.42	1500	260	168/50		6 - 11	280
3560105	G 11.42 SW	1500	260	T11.20		6 - 11	310
4569220	G 13.42	1500	260	268/60		9 - 13	525
4569231	G 13.42 SW	1500	260	T620V/T620H		9 - 13	540
4105117	G 642	2000	400	268/60		12 - 23	550
4105140	G 642 SW	2000	400	T620V/T620H		12 - 23	570
4105162	G 644	2000	560	268/60		12 - 23	650
4105195	G 644 SW	2000	560	T620V/T620H		12 - 23	670
6068775	G644MS10	2000	560	Lehnhoff MS 10		12 - 23	650
6103124	G644MS21	2000	560	Lehnhoff MS 21		12 - 23	670
6131258	G644PTSW	2000	560	T620V/T620H		12 - 23	740
New, without cylinder but with a Powertilt electric motor for rotary movement							
6156986	G654 NEW	2000	580	268/60		12 - 23	620
6156981	G654SW NEW	2000	580	T620V/T620H		12 - 23	640
6156825	G655 NEW	2000	780	268/60		12 - 23	650
6156789	G655SW NEW	2000	780	T620V/T620H		12 - 23	670
4551162	G 649	2200	700	268/60		12 - 23	780
4551184	G 649 SW	2200	700	T620V/T620H		12 - 23	800
6113238	G649MS10	2200	700	Lehnhoff MS 10		12 - 23	800
6083015	G649MS21	2200	700	Lehnhoff MS 21		12 - 23	820
6025229	G 53.45	2000	650	268/60		12 - 23	615
hydraulic cylinder installed for protection, with a complete cylinder cover without water holes in the rear wall							
6030801	G 53.45 SW	2000	650	T620V/T620H		12 - 23	668
hydraulic cylinder installed for protection, with a complete cylinder cover without water holes in the rear wall							
4569184	G 63.44	2000	710	300/80		17 - 25	955
4569195	G 63.44 SW	2000	710	T63.20/T63.20H		17 - 25	1050
4569208	G63.46	2000	900	300/80		17 - 25	995
4569219	G63.46SW	2000	900	T63.20/T63.20H		17 - 25	1100
6149280	G75.53	2000	860	311/80		22 - 28	980
6117682	G75.53MS21	2000	860	Lehnhoff MS 21		22 - 28	980
4902258	G 742	2200	910	forked/80		22 - 35	1005
5412837	G 742 SW	2200	910	T722/T722H		22 - 35	1100

G11.42SW

G644SW

G655SW

G63.45SW

G649

G63.44


Rotator (Rototilt)

The Rototilt rotator with 2 telescopic cylinders swivels 2 x through 40 degrees and rotates through 360 degrees.

Material no.	Type designation		suitable for SWE (quick change devices)	Excavator Size T	Weight KG
6129250	RT620	AST8 attachment kit is to be available on the excavator.	T620V/T620H	12 - 23	600
6145950	RT620 HP				
6118497	RT620	with a magnet valve	T620V/T620H	12 - 23	600
5401185	RT620 HP				
5409785	E-attachment kit	possible retrofitting of the excavator; requested for 6118497			11
6142639	RT63.20-T63.20		T63.20/T63.20H	18 - 28	620

Dipper swivel head

Material no.	Type designation		suitable for arm width and bolts, Ø (mm) SWE (quick change devices)	Excavator Size T	Weight KG
1549888	G 360	Swivel head for rock buckets and trench diggers (swivelling: 2 x through 45 degrees, with 2 cylinders and hoses)	268/60	12 - 20	250
4100838	G 360SW	Swivel head for rock buckets and trench diggers (swivelling: 2 x through 45 degrees, with 2 cylinders and hoses)	T620V/T620H	12 - 20	380
6129987	PTS10	Powertilt	below: quick coupler (SW) for T620 without LH 268/60	12 - 20	360

New, without cylinder but with a Powertilt electric motor for rotary movement

RT620



G360



PTS10



All-purpose bucket: round shape, no rear blade, with a non-serrated floor blade.

(G475 - G 477SW floor panel from 400HB special steel)

Material no.	Type designation	Width	Litres	suitable for arm width and		
				bolts, Ø (mm) SWE (quick change devices)	Excavator Size T	Weight KG
3174265	G475	1500	750	268/80	12 - 23	370
3186032	G475SW	1500	750	T620V/T620H	12 - 23	410
3174298	G476	1750	890	268/80	12 - 23	420
3186010	G476SW	1750	890	T620V/T620H	12 - 23	460
3174323	G 477	2000	1020	268/80	12 - 23	450
3185995	G 477 SW	2000	1020	T620V/T620H	12 - 23	500
4568785	G63.76	1750	1230	300/80	17 - 25	590
4568796	G63.76SW	1750	1230	T63.20/T63.20H	17 - 25	680
4568809	G63.77	2000	1420	300/80	17 - 25	655
4568810	G63.77SW	2000	1420	T63.20/T63.20H	17 - 25	790
4573884	G 83.76	2000	1600	forked/80	22 - 35	825
4550490	G 83.76 SW	2000	1600	T722/T722H	22 - 35	920

All-purpose bucket: round shape, no rear blade, non-serrated floor blade, swivelling: 2 x through 45 degrees.

incl. 2 swivelling cylinders with hoses up to the articulated jib

(G485 - G 487MS21 floor panel from 400HB special steel)

Material no.	Type designation	Width	Litres	suitable for arm width and		
				bolts, Ø (mm) SWE (quick change devices)	Excavator Size T	Weight KG
4573862	G 485	1500	750	268/80	12 - 23	575
4557033	G 485 SW	1500	750	T620V/T620H	12 - 23	650
4573840	G 486	1750	890	268/80	12 - 23	610
4557055	G 486 SW	1750	890	T620V/T620H	12 - 23	675
4573828	G 487	2000	1020	268/80	12 - 23	660
4557077	G 487 SW	2000	1020	T620V/T620H	12 - 23	735
6142656	G487MS10	2000	1020	Lehnhoff MS 10	12 - 23	735
6099739	G487MS21	2000	1020	Lehnhoff MS21	12 - 23	735
4568821	G 63.86	1750	1230	300/80	17 - 25	960
4568832	G 63.86 SW	1750	1230	T63.20/T63.20H	17 - 25	1055
4568843	G 63.87	2000	1420	300/80	17 - 25	1010
4568854	G 63.87 SW	2000	1420	T63.20/T63.20H	17 - 25	1115
4573873	G 83.86	2000	1600	forked/80	22 - 35	1180
5400015	G 83.86 SW	2000	1600	T722/T722H	22 - 35	1230

G477SW

G63.87SW

G486

G487SW

G4850Q70/55-1000 L EDP no. 6153099

Special design

Ripper tooth

Material no.	Type designation	Depth	suitable for arm width and		Excavator Size T	Weight KG
			bolts, Ø (mm) SWE (quick change devices)			
6017199	H43.20		268/60		12 - 20	201
6016095	H43.20SW		T620V/T620H		12 - 20	209
4569242	H63.20		300/80		17 - 25	290
4568752	H63.20SW		T63.20/T63.20H		17 - 25	375

Heavy duty fork with 6 forked screw teeth, for pave stones picking up

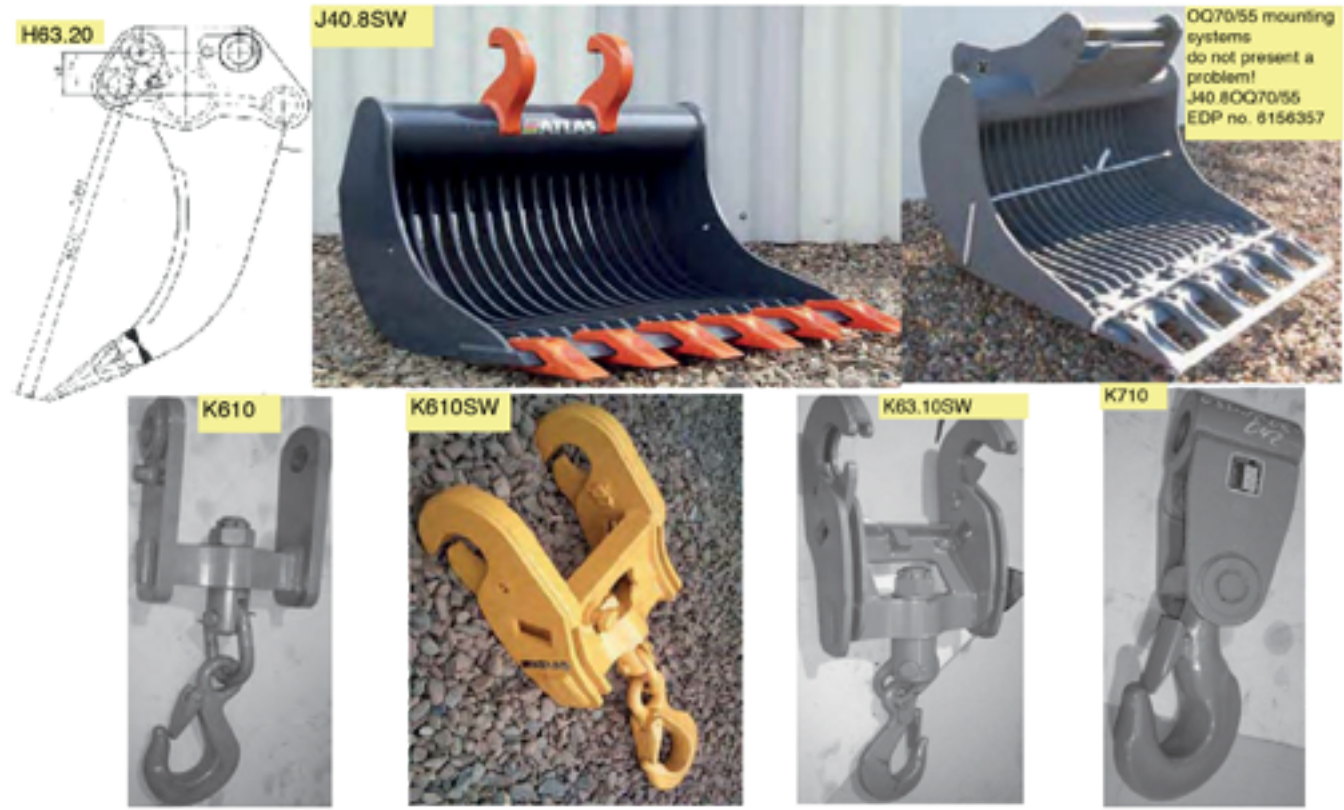
Material no.	Type designation	Width	Litres	suitable for arm width and		Excavator Size T	Weight KG
				bolts, Ø (mm) SWE (quick change devices)			
3509431	J 40.8	1200	400	268/60		12 - 23	476
3548303	J 40.8 SW	1200	400	T620V/T620H		12 - 23	515

load hook, capable of rotation

Material no.	Type designation	Load-bearing capacity (kN)	Length	suitable for arm width and		Excavator Size T	Weight KG
				bolts, Ø (mm) SWE (quick change devices)			
1907382	K 11.10	75	560	168/50		6-11	30
3112272	K 11.10 SW	75	630	T11.10/T11.20		6-11	50
1907393	K 610	150	690	268/60		12 - 23	50
2225061	K 610 SW	150	790	T610/T620/T620H		12 - 23	75
4568423	K63.10	200	820	300/80		17 - 25	87
4568434	K63.10SW	200	980	T63.10/T63.20/T63.20H		17 - 25	140
0729737	K 710	125	590	forked/80		22 - 35	85
2224935	K710SW	125	730	T722/T722H		22 - 35	180

load hook, incapable of rotation

3534909	K613	150	655	268/60		12 - 23	50
3572585	K613SW	150	655	T610/T620/T620H		12 - 23	60
4580429	K 713	210	650	345(closed)/80		22 - 35	55
5411256	K 713SW	200	690	T713		22 - 35	78



Pallet forks

Material no.	Type designation	Load-bearing capacity (To.)	Teeth length	suitable for arm width and bolts, Ø (mm) SWE (quick change devices)	Excavator	Weight KG
6149549	PG 2,5T.ZL1250MM	2,5	1250	268/60	12 - 23	210
6147343	PGSW 2,5T.ZL1250MM	2,5	1250	T620/T620H	12 - 23	210

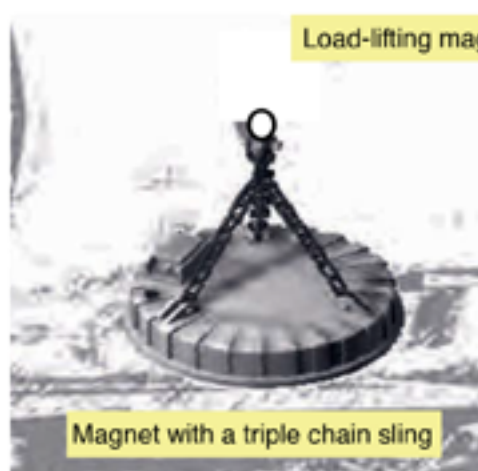
Original load-lifting magnets MOZELT

Scope of delivery: as standard with triple chain sling

Material no.	Type designation	Diameter Ø (mm)	KW	Excavator Size T	Weight KG
6063217	MLA11	1170	7,0kW220VDC/80%ED		1080
6073058	MLA12	1270	9,0kW220VDC/80%ED		1400
6068772	MLA13	1375	10,0kW220VDC/80%ED		1720
6123773	MLA15	1530	12,5kW220VDC/80%ED		2300



PGSW 2,5T.ZL 1250mm



Magnet with a triple chain sling

Load-lifting magnets MOZELT





EASY. FAST. RELIABLE.

The right tool

We manufacture our tools in standard and special models based on the most current know-how in the fields of machine and steel construction.

High-strength steels, tried and tested with century-long experience in this industry are guarantees for cost-efficient and practical work.

Capable service partners

The customer service employees of our dealers are highly trained in the technology in our factory in order to be qualified contacts for you at all times.

The best support

With our AEM system, you also have a reliable partner for servicing. The service menu with maintenance-interval and measurement-data display stores all required information.

A diagnostics interface in the driver's cab for the connection of a laptop enables the easy readout and configuration of the AEM system.

Das richtige Werkzeug

Wir fertigen unsere Werkzeuge in Serien- und Sonderausführungen nach modernsten Erkenntnissen des Maschinen- und Stahlbaus. Hochfeste Stähle, bewährte Technik und jahrzehntelange Erfahrung sind in diesem Sektor Garanten für kostengerechtes und praxisnahes Arbeiten.

Kompetente Servicepartner

Die Kundendienstmitarbeiter unserer Händler werden intensiv im Bereich Technik in unserem Werk geschult, um für Sie jederzeit ein kompetenter Ansprechpartner zu sein.

Beste Unterstützung

Mit unserem AEM-System haben Sie auch bei der Wartung einen verlässlichen Partner. Das Service-menü mit Wartungsintervall- und Messdatenanzeige hält alle erforderlichen Informationen bereit. Eine Diagnose-Schnittstelle in der Fahrerkabine zum Anschluss eines Laptops ermöglicht das leichte Auslesen und Konfigurieren des AEM-Systems.

ATLAS



Factory Ganderkesee

ATLAS Maschinen GmbH
Atlasstrasse 6
27777 Ganderkesee, Deutschland
T: +49 (0) 4222 954 0
F: +49 (0) 4222 954 220

info@atlasgmbh.com

AVAILABLE & COST EFFECTIVE

www.atlasgmbh.com