




ATLAS

Wheel Excavator 160W



-  16.0 - 17.8 t
-  105 kW (143 hp)
-  0.7 - 1.3 m³



STABLE. STRONG. STEADY.
160W

Technical specifications

ENGINE

| | | |
|---|--------------------------------------|------------------------------|
| Power rating acc. to ISO 9249...105 kW (143 HP) | Number of cylinders 6 | Alternator..... 24 V / 55 Ah |
| RPM.....1800/min | Bore / cylinder stroke.....101 / 126 | Starter..... 24 V / 4.8 kW |
| Make / model.....Deutz / TCD 6.1 (Stage 3B) | Cooling system.....Water-cooled | |
| Design.....Turbocharger / charge-air cooling | Air filter.....Dry air filter | |
| Displacement.....6057 cm ³ | Battery..... 2 x 12 V / 100 Ah | |

HYDRAULIC SYSTEM

| | | |
|---|--|---|
| • AWE 5 system (Load sensing) | • Suction valves for all work functions | • 2 additional circuits for additional consumer loads possible |
| • Load limit controlled high-performance pump | • Load-retaining and fine lowering valves in lifting circuit | • Max. oil flow260 l/min |
| • Fuel-efficient flow-on-demand control | • Pipe break protection valves for lifting and articulated cylinders | • Max. operating pressure360 bar |
| • Sensitive, proportional, independent control | • Proportional grab/grab rotating function | • Operating modes: 3 pre-programmed modes (Fine, Eco, Power) |
| • Primary and secondary protection against overload | | |

SWING ASSEMBLY

| | | |
|----------------|---|-------------------------------|
| • Swing motor: | Axial piston motor with priority valve | • Max. swing speed9/min |
| • Swing gear: | Planetary transmission | • Swing torque 41 kNm |
| • Swing brake: | Automatically controlled multi-disc brake | |

TRACTION DRIVE AND BRAKES

| | | |
|--|---------------------------------------|--|
| • Variable displacement motor | • Automotive drive and cruise control | • Tractive force.....92.7 kN |
| • Power-shift transmission | • Max. speed.....20 km/h | • Max. gradeability.....55 % |
| • Double-acting brake valve | • Off-road speed5 km/h | • Dual-circuit brake system Multi-disc |
| • Travel direction pre-selection via buttons in joystick | • Crawling speed.....1 km/h | • Parking brake Multi-disc |

UNDERCARRIAGE

| | | |
|---|------------------------------------|---------------------------------------|
| • 28 tons special excavator axles | • 8 tires (twins) 10.00 - 20 | • 4 tires (optional) 600 - 22.5 |
| • Steering axle with automatic oscillating axle locking | | |

FILL CAPACITIES

| | | |
|--------------------------------|----------------------------------|-----------------------------------|
| • Fuel tank247 litres | • Engine oil..... 10 litres | • Hydraulic system.....220 litres |
| • Cooling system.....38 litres | • Hydraulic tank180 litres | |

DRIVER'S CAB

| | | |
|---|--|---|
| • Meets latest safety standards | CONTROL: | CLIMATE CONTROL: |
| • Extra large entry zone | • Ergonomic joysticks with proportional slide control | • Air conditioning equipped as standard |
| • Spacious leg room | • Slim steering column, height and tilt adjustable | • Excellent air distribution through optimally arranged nozzles |
| • Excellent circumferential visibility | • Indicators, controls and operating switches are clearly arranged | |
| • Preparation for radio installation with mute function | | |
| DRIVER'S SEAT: | MONITORING: | SOUND LEVELS: |
| • Air-cushioned comfort seat (seat heating optional) | • Operating data display screen | • ISO 6396 (L _{pA}) in driver's cab 70 dB(A) |
| • Arm rests and lumbar support | • Automatic system for monitoring, warning and storage of data | • 2000/14 EG (L _{wA}) ambience level...97 dB(A) |

Working equipment

OPERATING WEIGHTS

| | MONOBLOCK BOOM 4.32 m (C6.3M) | | ADJUSTABLE BOOM Base arm 1.87 m (C6.41) Boom 3.10 m (C6.46) | |
|-------------------------|----------------------------------|------------------------|---|------------------------|
| | Stick 2.15 m (D6.2) | Stick 2.65 m (D6.3) | Stick 2.15 m (D6.2) | Stick 2.65 m (D6.3) |
| Support and dozer blade | 16.0 t | 16.1 t | 16.4 t | 16.5 t |
| SDB / outriggers | 17.1 t | 17.2 t | 17.5 t | 17.6 t |
| 4 outriggers | 17.3 t | 17.4 t | 17.7 t | 17.8 t |

Operating weight incl. driver, fuel, lubricants and coolant plus 1.0 ton for attachments

EQUIPMENT

| | | |
|---|---|--|
| BASIC UNIT ATLAS 160W (can be combined) | STANDARD EQUIPMENT: | <ul style="list-style-type: none"> • Ready for electric cooling box • Different options for storage, compartment for documents • Seat adjustable separately from console • Rear view security camera with 5" LCD-colour monitor • Heat-absorbing glass, tinted windows • Automotive drive and cruise control • Operating data display screen • Bottle holder |
| <ul style="list-style-type: none"> • Wheel Excavator 160W with support and dozer blade and 2 lifting cylinders (A6.2) | Engine: | |
| BOOMS: | <ul style="list-style-type: none"> • Automatic idling system • Diesel pre-filter • Engine monitoring | |
| <ul style="list-style-type: none"> • Monoblock boom with stick cylinder 4.32 m (C6.3M) • Adjustable boom consisting of base arm 1.87 m (C6.41) adjustable cylinder plus boom 3.10 m (C6.46) with stick cylinder | HYDRAULIC SYSTEM: | |
| STICKS: | <ul style="list-style-type: none"> • Proportional grab/grab rotating function • Accumulator for emergency lowering of boom system • Pipe break protection valves for lifting and articulated cylinders | EQUIPMENT: |
| <ul style="list-style-type: none"> • Stick 2.15 m (D6.2) • Stick 2.65 m (D6.3) | <ul style="list-style-type: none"> • Max. load-limit control • Cylinder end position damping | <ul style="list-style-type: none"> • Joint bearings in stick and bucket cylinders • Combined lubricating points for swing bearing and arm equipment |
| BUCKET TIPPING CYLINDER: | <ul style="list-style-type: none"> • Bucket tipping cylinder with bucket linkage (F6.1) | UNDERCARRIAGE: |
| | Cab: | <ul style="list-style-type: none"> • Power-shift transmission • Wet disc brakes • Toolbox in undercarriage |
| | <ul style="list-style-type: none"> • Air-conditioning • Preparation for radio installation with mute function • Slim steering column, height and tilt adjustable | |

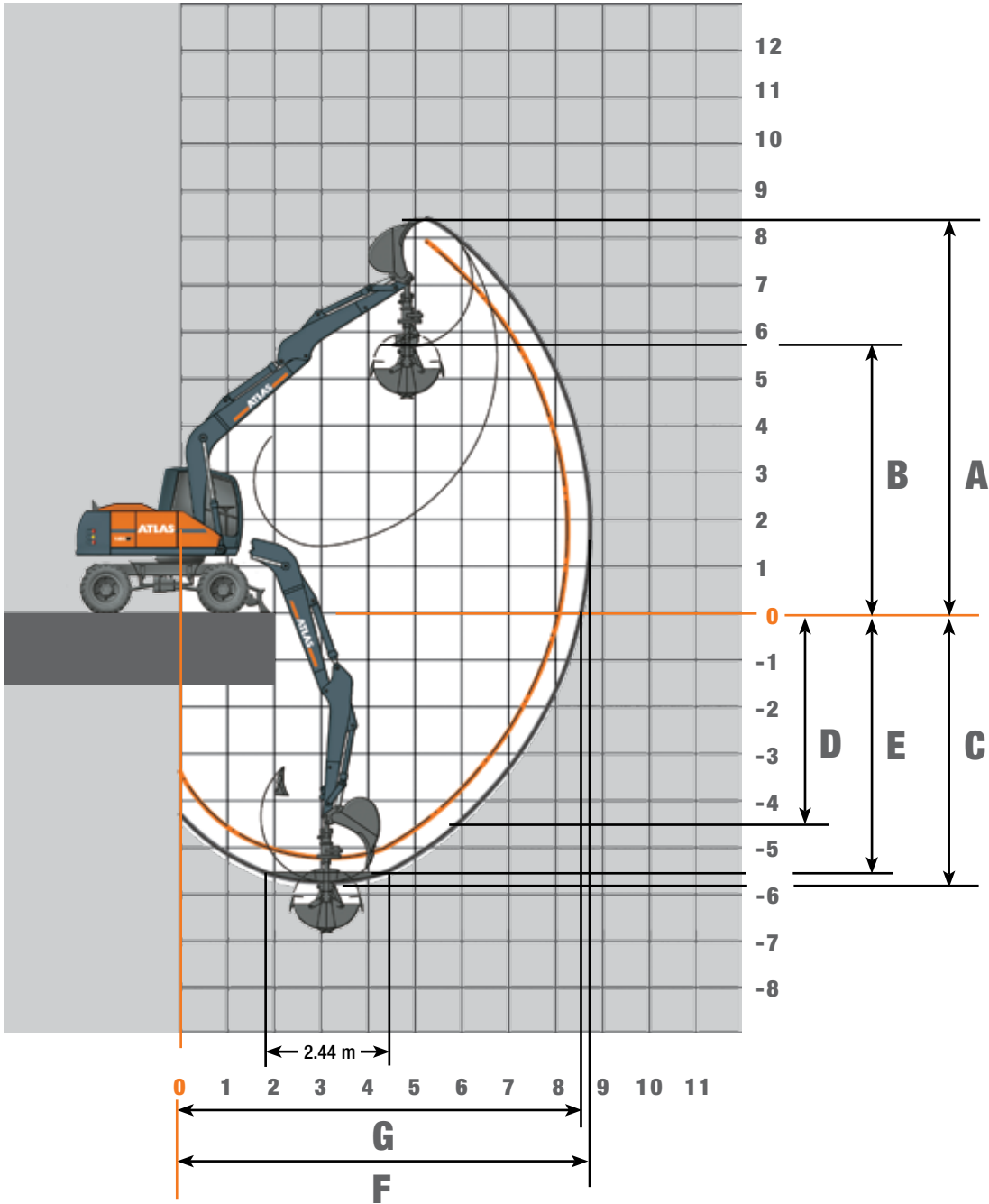
ADDITIONAL EQUIPMENT

| | | |
|---|--|--|
| Engine: | Equipment: | <ul style="list-style-type: none"> • Cab elevation • Xenon working lights • Proportional control of supports by slide in joystick |
| <ul style="list-style-type: none"> • Refueling pump • Engine speed adjustment via potentiometer • Auxiliary heating • Cold start assistance | <ul style="list-style-type: none"> • Automatically controlled and monitored electric central lubrication system | |
| Hydraulics: | Cab: | Undercarriage: |
| <ul style="list-style-type: none"> • Hydraulic kit, to operate front and rear supports separately • Hydraulic kit, to operate supports per axle separately • Biodegradable oil | <ul style="list-style-type: none"> • Cab protection guard • Beacon light • GPS/GSM telemetric system for monitoring of operating data, consumption, position • Heated driver's seat • Radio CD/MP3, front AUX in, USB • Electric cooling box | <ul style="list-style-type: none"> • Wide axles (overall width 2750 mm) • Wide dozer blade (2750 mm) • High-speed execution 30 km/h |
| | | Further special equipment: See price list |

ATTACHMENTS (SELECTION)

| | Bucket F415 | Bucket F416 | Bucket F417 | Bucket F648 |
|---------------|---------------------|---------------------|---------------------|---------------------|
| Capacity SAE | 0.67 m ³ | 0.82 m ³ | 0.92 m ³ | 1.12 m ³ |
| Cutting width | 850 mm | 1000 mm | 1100 mm | 1300 mm |

Working ranges Monoblock boom 4.32 m (C6.3M)



| STICK LENGTHS | 2.15 m (D6.2) | 2.5 m (D6.3) |
|--|---------------|--------------|
| A Max. digging height | 8.10 m | 8.35 m |
| B Max. dumping height | 5.35 m | 5.65 m |
| C Max digging depth | 5.20 m | 5.70 m |
| D Max. vertical wall digging depth | 4.05 m | 4.55 m |
| E Max. digging depth of cut for 2.44 m level | 4.95 m | 5.50 m |
| F Max. digging reach | 8.25 m | 8.70 m |
| G Max. digging reach at ground level | 8.05 m | 8.50 m |
| Max. bucket digging force | 130 kN | 130 kN |
| Max. stick digging force | 82 kN | 72 kN |

Unit is equipped with monoblock boom 4.32 m (C6.3M).

Lifting capacities Monoblock boom 4.32 m (C6.3M)

Lifting capacities Monoblock boom 4.32 m (C6.3M) and stick 2.15 m (D6.2). Max reach 8.20 m

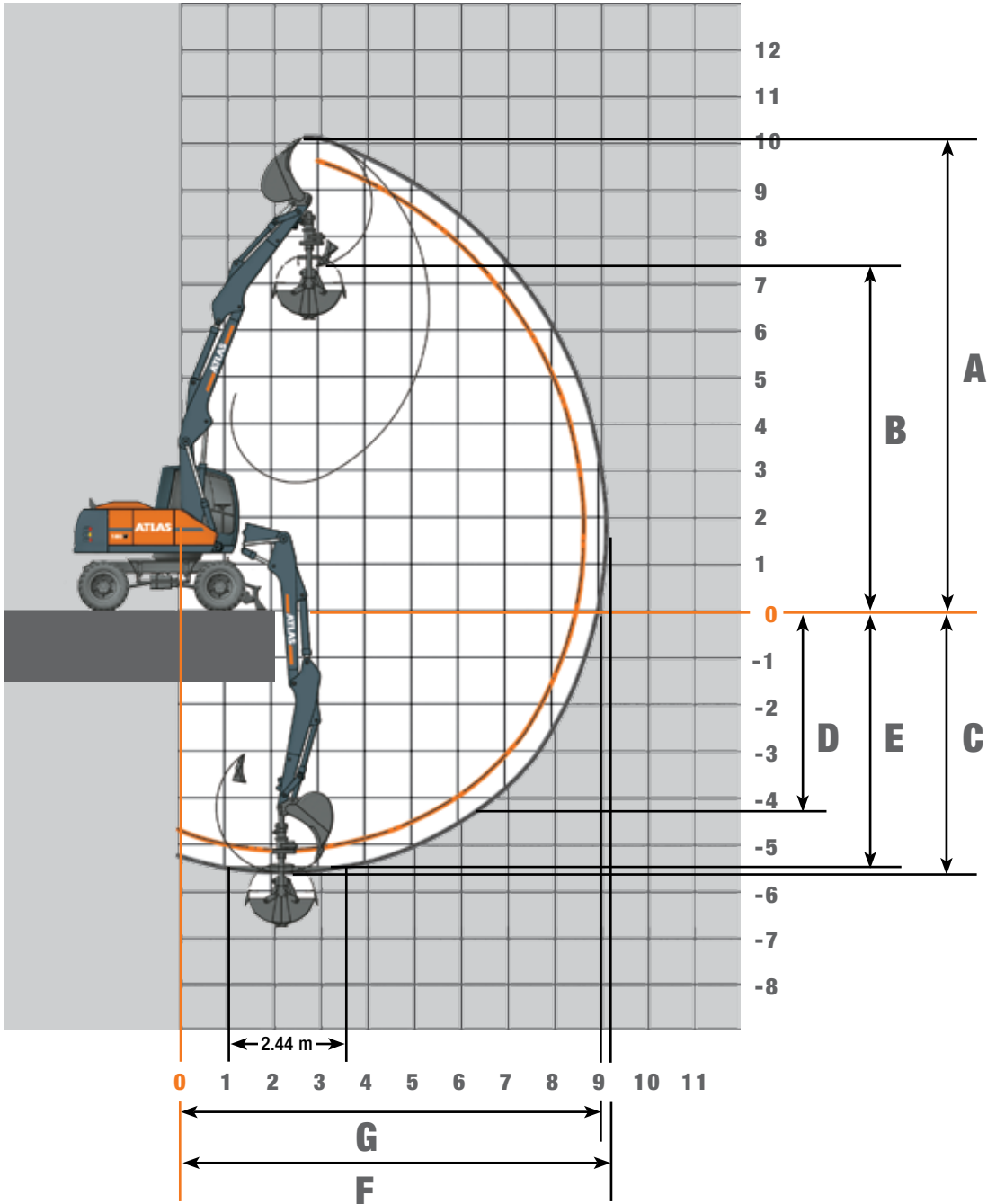
| Height | Undercarriage type | 3.0 m | | 4.5 m | | 6.0 m | | 7.5 m | |
|--------|----------------------------------|-------|---------|-------|---------|-------|---------|-------|---------|
| | | FRONT | LATERAL | FRONT | LATERAL | FRONT | LATERAL | FRONT | LATERAL |
| +6.0 m | SDB rear, raised | | | | | | | | |
| | SDB rear, supported | | | | | | | | |
| | Outriggers rear/front, supported | | | | | | | | |
| | SDB/outriggers supported | | | | | | | | |
| +4.5 m | SDB rear, raised | | | | | 3927* | 2885 | | |
| | SDB rear, supported | | | | | 3927* | 3207 | | |
| | Outriggers rear/front, supported | | | | | 3927* | 3927* | | |
| | SDB/outriggers supported | | | | | 3927* | 3927* | | |
| +3.0 m | SDB rear, raised | | | 5001* | 4225 | 4117* | 2827 | | |
| | SDB rear, supported | | | 5001* | 4731 | 4117* | 3148 | | |
| | Outriggers rear/front, supported | | | 5001* | 5001* | 4117* | 4117* | | |
| | SDB/outriggers supported | | | 5001* | 5001* | 4117* | 4117* | | |
| +1.5 m | SDB rear, raised | | | 5899* | 3979 | 4438* | 2730 | | |
| | SDB rear, supported | | | 5899* | 4476 | 4438* | 3048 | | |
| | Outriggers rear/front, supported | | | 5899* | 5899* | 4438* | 4438* | | |
| | SDB/outriggers supported | | | 5899* | 5899* | 4438* | 4192 | | |
| +0 m | SDB rear, raised | 7470* | 6654 | 6289* | 3829 | 4546 | 2661 | | |
| | SDB rear, supported | 7470* | 7470* | 6289* | 4322 | 4551* | 2979 | | |
| | Outriggers rear/front, supported | 7470* | 7470* | 6289* | 6289* | 4551* | 4551* | | |
| | SDB/outriggers supported | 7470* | 7470* | 6289* | 6138 | 4551* | 4118 | | |
| -1.5 m | SDB rear, raised | 8854* | 6717 | 5928* | 3820 | | | | |
| | SDB rear, supported | 8854* | 7751 | 5928* | 4312 | | | | |
| | Outriggers rear/front, supported | 8854* | 8854* | 5928* | 5928* | | | | |
| | SDB/outriggers supported | 8854* | 8854* | 5928* | 5928* | | | | |
| -3.0 m | SDB rear, raised | 6451* | 6451* | 4112* | 3958 | | | | |
| | SDB rear, supported | 6451* | 6451* | 4112* | 4112* | | | | |
| | Outriggers rear/front, supported | 6451* | 6451* | 4112* | 4112* | | | | |
| | SDB/outriggers supported | 6451* | 6451* | 4112* | 4112* | | | | |

Lifting capacities Monoblock boom 4.32 m (C6.3M) and stick 2.65 m (D6.3). Max reach 8.70 m

| Height | Undercarriage type | 3.0 m | | 4.5 m | | 6.0 m | | 7.5 m | |
|--------|----------------------------------|-------|---------|-------|---------|-------|---------|-------|---------|
| | | FRONT | LATERAL | FRONT | LATERAL | FRONT | LATERAL | FRONT | LATERAL |
| +6.0 m | SDB rear, raised | | | | | | | | |
| | SDB rear, supported | | | | | | | | |
| | Outriggers rear/front, supported | | | | | | | | |
| | SDB/outriggers supported | | | | | | | | |
| +4.5 m | SDB rear, raised | | | | | 3542* | 2918 | | |
| | SDB rear, supported | | | | | 3542* | 3238 | | |
| | Outriggers rear/front, supported | | | | | 3542* | 3542* | | |
| | SDB/outriggers supported | | | | | 3542* | 3542* | | |
| +3.0 m | SDB rear, raised | | | 4554* | 4266 | 3836* | 2833 | | |
| | SDB rear, supported | | | 4554* | 4554* | 3836* | 3152 | | |
| | Outriggers rear/front, supported | | | 4554* | 4554* | 3836* | 3836* | | |
| | SDB/outriggers supported | | | 4554* | 4554* | 3836* | 3836* | | |
| +1.5 m | SDB rear, raised | | | 5567* | 3985 | 4242* | 2716 | | |
| | SDB rear, supported | | | 5567* | 4479 | 4242* | 3031 | | |
| | Outriggers rear/front, supported | | | 5567* | 5567* | 4242* | 4242* | | |
| | SDB/outriggers supported | | | 5567* | 5567* | 4242* | 4199 | | |
| +0 m | SDB rear, raised | 7879* | 6551 | 6168* | 3789 | 4494 | 2621 | | |
| | SDB rear, supported | 7879* | 7569 | 6168* | 4276 | 4494* | 2935 | | |
| | Outriggers rear/front, supported | 7879* | 7879* | 6168* | 6168* | 4494* | 4494* | | |
| | SDB/outriggers supported | 7879* | 7879* | 6168* | 6126 | 4494* | 4097 | | |
| -1.5 m | SDB rear, raised | 9359* | 6553 | 6079* | 3733 | 4296* | 2603 | | |
| | SDB rear, supported | 9359* | 7571 | 6079* | 4218 | 4296* | 2917 | | |
| | Outriggers rear/front, supported | 9359* | 9359* | 6079* | 6079* | 4296* | 4296* | | |
| | SDB/outriggers supported | 9359* | 9359* | 6079* | 6062 | 4296* | 4077 | | |
| -3.0 m | SDB rear, raised | 7495* | 6709 | 4967* | 3813 | | | | |
| | SDB rear, supported | 7495* | 7495* | 4967* | 4301 | | | | |
| | Outriggers rear/front, supported | 7495* | 7495* | 4967* | 4967* | | | | |
| | SDB/outriggers supported | 7495* | 7495* | 4967* | 4967* | | | | |

All values in kilogrammes (kg) were determined acc. to ISO 10567 and include a stability factor of 1.33 or 87% of the hydraulic lifting capacity. These values are applicable at the top of the arm with optimum positioning of the corresponding arm system and with power boost switched on. *Value limited due to hydraulics.

Working ranges Adjustable boom: Base arm 1.87 m (C6.41) and boom 3.10 m (C6.46)



| STICK LENGTHS | 2.15 m (D6.2) | 2.65 m (D6.3) |
|--|---------------|---------------|
| A Max. digging height | 9.70 m | 10.10 m |
| B Max. dumping height | 6.95 m | 7.35 m |
| C Max digging depth | 5.10 m | 5.60 m |
| D Max. vertical wall digging depth | 3.80 m | 4.30 m |
| E Max. digging depth of cut for 2.44 m level | 5.00 m | 5.50 m |
| F Max. digging reach | 8.70 m | 9.20 m |
| G Max. digging reach at ground level | 8.55 m | 9.00 m |
| Max. bucket digging force | 130 kN | 130 kN |
| Max. stick digging force | 82 kN | 72 kN |

Unit is equipped with standard adjustable boom: base arm 1.87 m (C6.41) and boom 3.10 m (C6.46).

Lifting capacities Adjustable boom: Base arm 1.87 m (C6.41) and boom 3.10 m (C6.46)

Lifting capacities Adjustable boom: Base arm 1.87 m (C6.41) and boom 3.10 m (C6.46) with stick 2.15 m (D6.2). Max reach 8.70 m

| Height | Undercarriage type | 3.0 m | | 4.5 m | | 6.0 m | | 7.5 m | |
|--------|----------------------------------|--------|---------|-------|---------|-------|---------|-------|---------|
| | | FRONT | LATERAL | FRONT | LATERAL | FRONT | LATERAL | FRONT | LATERAL |
| +6.0 m | SDB rear, raised | | | 4525* | 4463 | | | | |
| | SDB rear, supported | | | 4525* | 4525* | | | | |
| | Outriggers rear/front, supported | | | 4525* | 4525* | | | | |
| | SDB/outriggers supported | | | 4525* | 4525* | | | | |
| +4.5 m | SDB rear, raised | 6478* | 6478* | 4879* | 4386* | 4044* | 2907 | | |
| | SDB rear, supported | 6478* | 6478* | 4879* | 4830 | 4044* | 3232 | | |
| | Outriggers rear/front, supported | 6478* | 6478* | 4879* | 4879* | 4044* | 4044* | | |
| | SDB/outriggers supported | 6478* | 6478* | 4879* | 4879* | 4044* | 4044* | | |
| +3.0 m | SDB rear, raised | 7198* | 7198* | 5575* | 4269 | 4252* | 2905 | | |
| | SDB rear, supported | 7198* | 7198* | 5575* | 4700* | 4252* | 3230 | | |
| | Outriggers rear/front, supported | 7198* | 7198* | 5575* | 5575* | 4252* | 4252* | | |
| | SDB/outriggers supported | 7198* | 7198* | 5575* | 5575* | 4252* | 4227 | | |
| +1.5 m | SDB rear, raised | 8536* | 7249 | 6074* | 4217* | 4417* | 2819 | | |
| | SDB rear, supported | 8536* | 8098 | 6074* | 4637* | 4417* | 3142 | | |
| | Outriggers rear/front, supported | 8536* | 8536* | 6074* | 6074* | 4417* | 4417* | | |
| | SDB/outriggers supported | 8536* | 8536* | 6074* | 6074* | 4417* | 4189* | | |
| +0 m | SDB rear, raised | 9803* | 7179 | 6112* | 4119 | 4437* | 2684 | | |
| | SDB rear, supported | 9803* | 8201 | 6112* | 4624 | 4437* | 3004 | | |
| | Outriggers rear/front, supported | 9803* | 9803* | 6112* | 6112* | 4437* | 4437* | | |
| | SDB/outriggers supported | 9803* | 9803* | 6112* | 6092 | 4437* | 4186 | | |
| -1.5 m | SDB rear, raised | 10090* | 6951 | 6279* | 3956 | 4177* | 2588 | | |
| | SDB rear, supported | 10090* | 8004 | 6279* | 4456 | 4177* | 2906 | | |
| | Outriggers rear/front, supported | 10090* | 10090* | 6279* | 6279* | 4177* | 4177* | | |
| | SDB/outriggers supported | 10090* | 10090* | 5056* | 6279* | 4177* | 4081 | | |
| -3.0 m | SDB rear, raised | 9759* | 6938 | 5056* | 3838 | | | | |
| | SDB rear, supported | 9759* | 7991 | 5056* | 4334 | | | | |
| | Outriggers rear/front, supported | 9759* | 9759* | 5056* | 5056* | | | | |
| | SDB/outriggers supported | 9759* | 9759* | 5056* | 5056* | | | | |

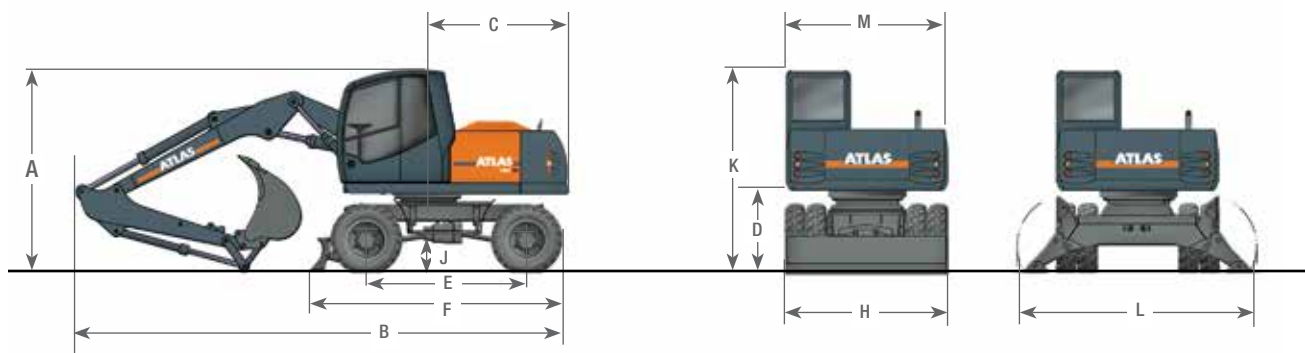
Lifting capacities Adjustable boom: Base arm 1.87 m (C6.41) and boom 3.10 m (C6.46) with stick 2.65 m (D6.3). Max reach 9.20 m

| Height | Undercarriage type | 3.0 m | | 4.5 m | | 6.0 m | | 7.5 m | |
|--------|----------------------------------|--------|---------|-------|---------|-------|---------|-------|---------|
| | | FRONT | LATERAL | FRONT | LATERAL | FRONT | LATERAL | FRONT | LATERAL |
| +6.0 m | SDB rear, raised | | | 4133* | 4133* | 3748* | 2926 | | |
| | SDB rear, supported | | | 4133* | 4133* | 3748* | 3251* | | |
| | Outriggers rear/front, supported | | | 4133* | 4133* | 3748* | 3748* | | |
| | SDB/outriggers supported | | | 4133* | 4133* | 3748* | 3748* | | |
| +4.5 m | SDB rear, raised | | | 4515* | 4414 | 3808* | 2973 | | |
| | SDB rear, supported | | | 4515* | 4515* | 3808* | 3261 | | |
| | Outriggers rear/front, supported | | | 4515* | 4515* | 3808* | 3808* | | |
| | SDB/outriggers supported | | | 4515* | 4515* | 3808* | 3808* | | |
| +3.0 m | SDB rear, raised | 7074* | 7074* | 5253* | 4267 | 4071* | 2937 | 3334 | 1984 |
| | SDB rear, supported | 7074* | 7074* | 5253* | 4705* | 4071* | 3215 | 3401* | 2218 |
| | Outriggers rear/front, supported | 7074* | 7074* | 5253* | 5253* | 4071* | 4071* | 3401* | 3401* |
| | SDB/outriggers supported | 7074* | 7074* | 5253* | 5253* | 4071* | 4071* | 3401* | 3069 |
| +1.5 m | SDB rear, raised | 8397* | 7186 | 5900* | 4179 | 4316* | 2913 | 3295 | 1946 |
| | SDB rear, supported | 8397* | 8033 | 5900* | 4599* | 4316* | 3205 | 3410* | 2180 |
| | Outriggers rear/front, supported | 8397* | 8397* | 5900* | 5900* | 4316* | 4316* | 3410* | 3410* |
| | SDB/outriggers supported | 8397* | 8397* | 5900* | 5900* | 4316* | 4151 | 3410* | 3032 |
| +0 m | SDB rear, raised | 9469* | 7220 | 6027* | 4153 | 4361* | 2750 | 3222* | 1897 |
| | SDB rear, supported | 9469* | 8081 | 6027* | 4617 | 4361* | 3073 | 3222* | 2130 |
| | Outriggers rear/front, supported | 9469* | 9469* | 6027* | 6027* | 4361* | 4361* | 3222* | 3222* |
| | SDB/outriggers supported | 9469* | 9469* | 6027* | 6015* | 4361* | 4165 | 3222* | 2982 |
| -1.5 m | SDB rear, raised | 9893* | 6938 | 6116* | 3970 | 4453* | 2594 | | |
| | SDB rear, supported | 9893* | 7993 | 6116* | 4472 | 4453* | 2913 | | |
| | Outriggers rear/front, supported | 9893* | 9893* | 6116* | 6116* | 4453* | 4453* | | |
| | SDB/outriggers supported | 9893* | 9893* | 6116* | 6111* | 4453* | 4092 | | |
| -3.0 m | SDB rear, raised | 10284* | 6906 | 5993* | 3812 | | | | |
| | SDB rear, supported | 10284* | 7959 | 5993* | 4308 | | | | |
| | Outriggers rear/front, supported | 10284* | 10284* | 5993* | 5993* | | | | |
| | SDB/outriggers supported | 10284* | 10284* | 5993* | 5993* | | | | |

All values in kilogrammes (kg) were determined acc. to ISO 10567 and include a stability factor of 1.33 or 87% of the hydraulic lifting capacity. These values are applicable at the top of the arm with optimum positioning of the corresponding arm system and with power boost switched on. *Value limited due to hydraulics.

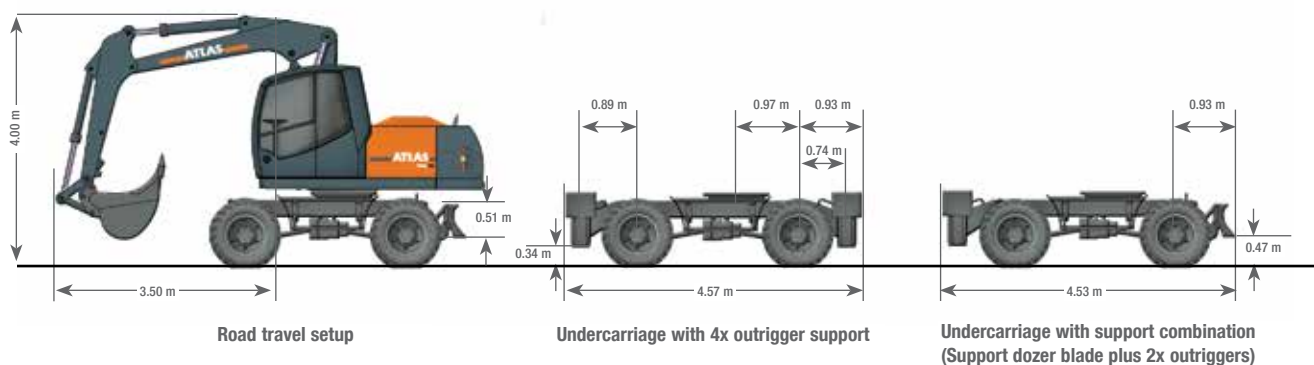
ATLAS

Dimensions



| | | | | | |
|----------|---|--------|----------|--|--------|
| A | TRANSPORT HEIGHT (with bucket) | | C | TAIL SWING RADIUS | 2.19 m |
| | Adjustable boom* with stick 2.15 m | 3.08 m | D | CLEARANCE UNDER COUNTERWEIGHT | 1.22 m |
| | Adjustable boom* with stick 2.65 m | 3.08 m | E | WHEEL BASE | 2.50 m |
| | Monoblock boom 4.32 m with stick 2.15 m | 3.15 m | F | UNDERCARRIAGE LENGTH | 3.98 m |
| | Monoblock boom 4.32 m with stick 2.65 m | 3.15 m | H | DOZER BLADE WIDTH | 2.49 m |
| B | TRANSPORT LENGTH | | J | GROUND CLEARANCE | 0.45 m |
| | Adjustable boom* with stick 2.15 m | 7.71 m | K | OVERALL HEIGHT OF CAB | 3.08 m |
| | Adjustable boom* with stick 2.65 m | 8.85 m | L | OUTRIGGERS WIDTH (extended) | 3.50 m |
| | Monoblock boom 4.32 m with stick 2.15 m | 7.55 m | M | OVERALL WIDTH OF SUPERSTRUCTURE | 2.49 m |
| | Monoblock boom 4.32 m with stick 2.65 m | 7.55 m | | | |

* Adjustable boom: Base arm 1.87 m (C6.41) and boom 3.10 m (C6.46)



Road travel setup

Undercarriage with 4x outrigger support

Undercarriage with support combination
(Support dozer blade plus 2x outriggers)

www.atlasgmbh.com

ATLAS Maschinen GmbH
EXCAVATORS
Atlasstrasse 6
27777 Ganderkesee, Germany
T: +49 (0) 4222 954 0
F: +49 (0) 4222 954 343
info@atlasgmbh.com

160W-EN (1) Effective date: August 2010. Product specifications and prices are subject to change without notice or obligation. The photographs and/or drawings in this document are for illustrative purposes only. Refer to the appropriate Operator's Manual for instructions on the proper use of this equipment. Failure to follow the appropriate Operator's Manual when using our equipment or to otherwise act irresponsibly may result in serious injury or death. The only warranty applicable to our equipment is the standard written warranty applicable to the particular product and sale and Atlas makes no other warranty, express or implied. The only warranty applicable to our equipment is the standard written warranty applicable to the particular product and sale and Atlas makes no other warranty, express or implied. Products and services listed may be trademarks, service marks or trade-names of Atlas Maschinen GmbH and/or its subsidiaries. All rights are reserved. Atlas® is a registered trademark of Atlas Maschinen GmbH. Copyright © 2010 Atlas Maschinen GmbH.